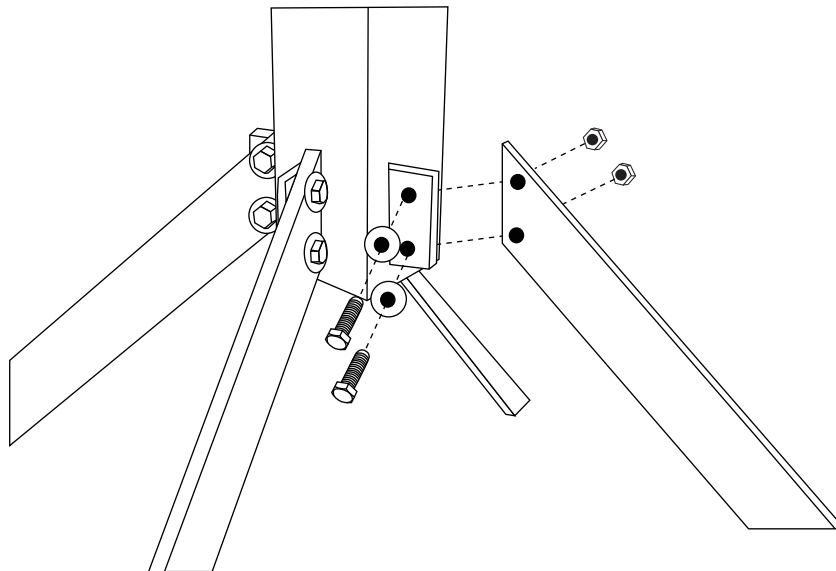




The Boat Lift Boss show room display is an interactive and working display to show customers the quality and quiet operation of the Boat Lift Boss system. All Boat Lift Boss accessories can be added to the display and will serve as a silent salesman. Your new display will prove to be a valuable sales tool when presenting our product to your customers.

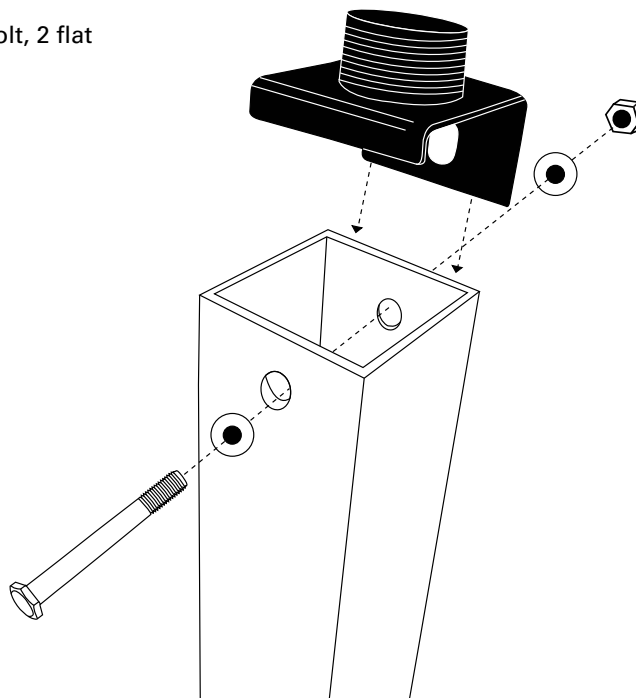
Step 1 - Attaching the Legs to the Base

Attach the legs to the base using the hardware supplied. Check for level and plumb and tighten bolts.



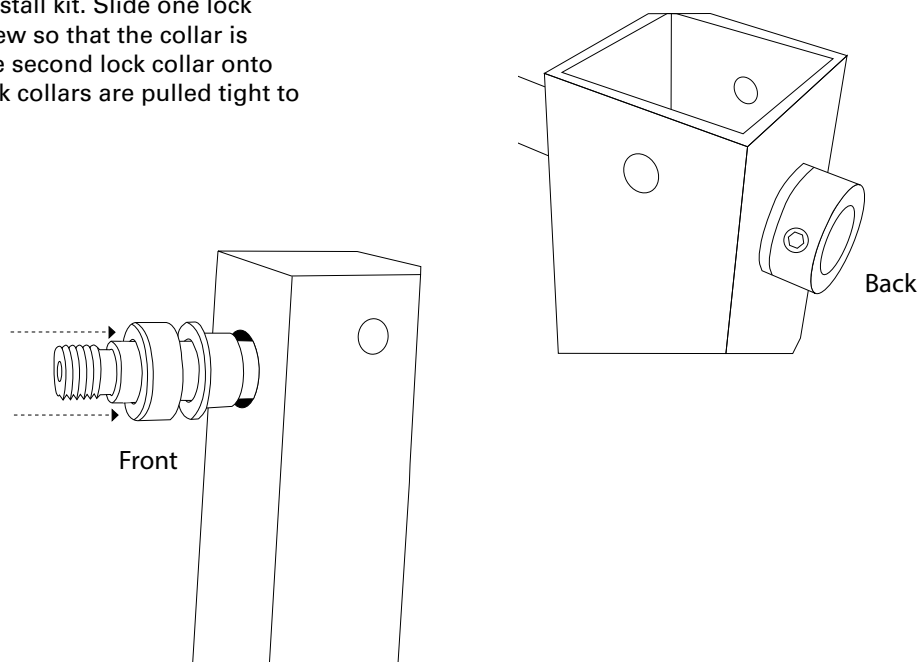
Step 2 - Attaching the Top Cap Bracket

Attach the top cap bracket to the top of the display. Use 3/8" bolt, 2 flat washers and a 3/8" nut.



Step 3 - Installing the Drive Shaft

Remove the long display shaft from your install kit. Slide one lock collar onto the shaft and tighten the set screw so that the collar is flush with the back side of the display. Slide second lock collar onto the front of the display shaft. Make sure lock collars are pulled tight to bushings and tighten lock collar set screw



Step 4 - Preparing the Boat Lift Boss

Remove your Boat Lift Boss from the main box and remove the lock cap plug.

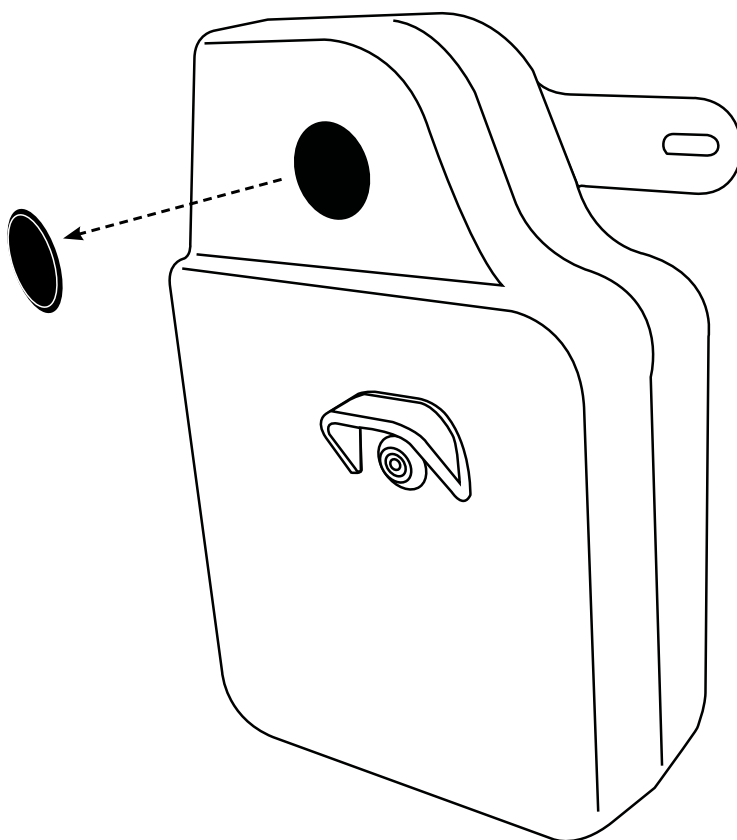
Tools Required For Installation:

- Adjustable Wrench (or Channel Lock Pliers)
- 9/16" Socket with Ratchet
- 9/16" Wrench
- 3/4" Socket
- 10 mm Socket
- Lubricant such as WD-40
- 1/4" Allen Wrench

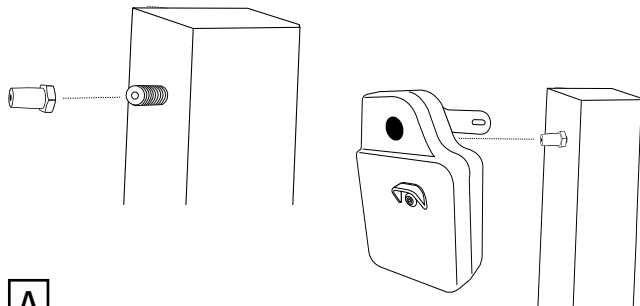
Installation Kit Contents:

Qty.

- 1 - Hardware Bag
- 1 - Aluminum Torque Arm
- 1 - Tapered Drive Stub
- 1 - Instructions
- 1 - Sign Holder

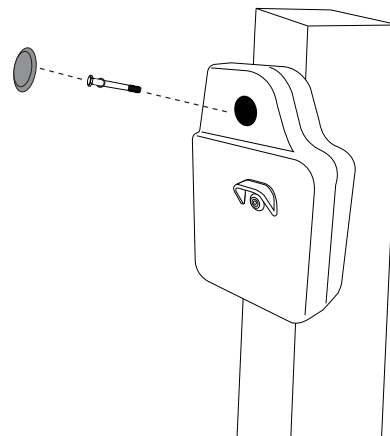


Step 5 - Installing the Boat Lift Boss to the Display



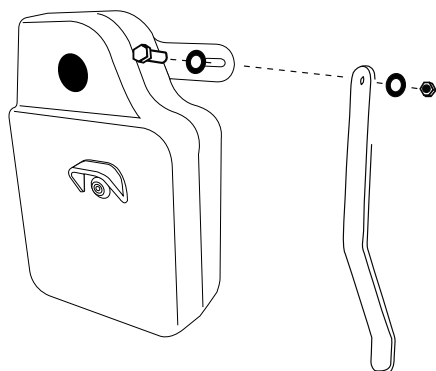
A

Thread drive stub onto display. Slide Boat Boss onto tapered shaft.



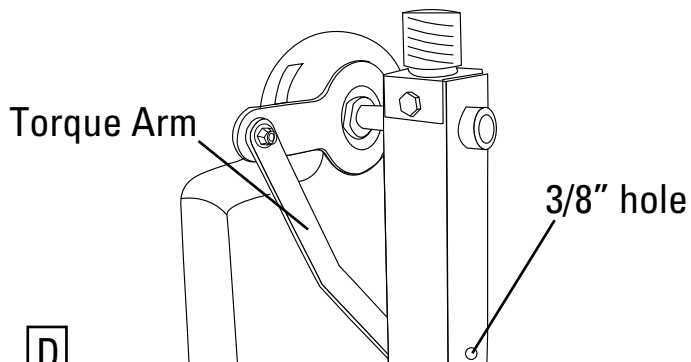
B

Install 3/8" bolt and washer through drive stub and tighten.



C

Install the top of the torque arm to the tear drop bracket on the power unit and fasten using the 3/8" x 1 1/4" bolt, 2 flat washers, and 3/8" lock nut.



D

Locate the 3/8" hole in the display shaft located one foot down from the top and use one 3/8" x 4" bolt, two 3/8" washers and 3/8" nut to secure the torque arm in the lower hole, and tighten.

****Note-- If the Boat Lift Boss motor is not level you may have to loosen the four bolts on the back of the tear drop bracket and adjust accordingly***

- On 120 volt models, simply plug in for live demonstrations.
- On 12 volt models we suggest installing the universal battery holder (pn: 3004.0180 not included) and 12 volt battery to give live demonstrations.
- We also suggest installing the solar battery charging system to show the complete self sustaining package

Part# 3001.5447



137868