

IMPORTANT INFORMATION

Before installation, read and understand all instructions and warnings.
Consult lift manufacturer before installation to insure compatibility and to
obtain their guidelines for safe installation and use.
All 120 Volt units MUST have electrical ground fault interrupter protection.

3006.4580 - 12/24V Key Turn
(Pendant - Ready)
3006.4586 - 12/24V W/ Wireless Remote
3006.4571 - 120V Key Turn
(Pendant - Ready)
3006.4577 - 120V W/ Wireless Remote

WARNING:

Hazardous voltage. Contact may cause electrical shock and injury. Disconnect before servicing.

- Misuse of this product can result in bodily injury, death, or property damage.
- Do not overload the capacity of the lift or drive system. When lifting, do not let the cradle or pulleys make contact with the lift frame. Serious injury or damage could occur.
- When lowering the lift, go down just far enough so the boat will come off of the lift. Running the system too long in the down cycle will wind the cable backwards and lift the boat, which could cause serious injury or damage.
- To prevent serious personal injuries or death, do not allow children, swimmers or pets on or near the boat or lift while it is in operation as they may become caught under the boat and suffer pinch, amputation or other serious injuries.
- In the event of unintentional or erratic operation permanently unplug unit from power source to disable the system and contact the Extreme Max service department at 651-357-1862.

120 Volt Models

120-Volt Boat Lift Boss models must only be used on an electrical circuit that has ground fault interrupter protection. The interrupter and its supply circuit MUST be installed to all applicable electrical codes. Any necessary electrical work should be done by a licensed electrician. Boat Lift Boss should only be connected to power source by a marine-rated, 3-prong grounded cord. Cord should be inspected regularly to insure good condition. Improper wiring or lack of a properly installed ground fault interrupter poses a high risk of injury or death.

CAUTION:

120 Volt Models

If the unit will be left unattended, disconnect the unit from power source to prevent damage from lightning and electrical surges.

12/24 Volt Models

If the unit will be left unattended, disconnect the unit from the power source or move the power switch to the "OFF" position to prevent damage.

Remote Control Models

Never attempt to use the key switch and the remote control at the same time. Do not have the key in the control box when you plan to use the remote control to prevent property damage.

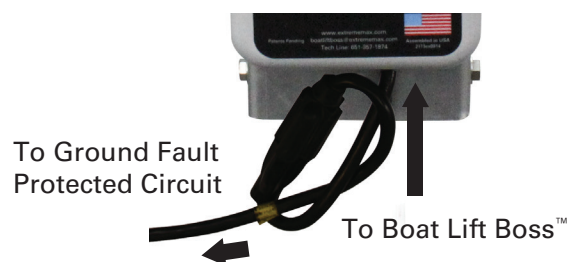
INSTRUCTIONS

- Read all instructions and warnings prior to installation and use.
- For use by adults over age 18.
- Wait for the motor to come to a complete stop before changing directions.
- Do not lift anything other than your boat.
- Put one of the two keys on a floating key chain and the spare key in a safe place.

Remote Control Models

- Remote range will vary depending upon land topography and ground clutter (trees, buildings, etc.).
- Do not use remote more than 15 feet (4.5m) from the lift. This will prevent accidentally exceeding the travel limits of the boat lift. Never operate the remote out of visual contact.

Loop the electrical cord connection as shown to help secure connection.



Installation Instructions

Read all information included on page 1 before beginning operation or installation.

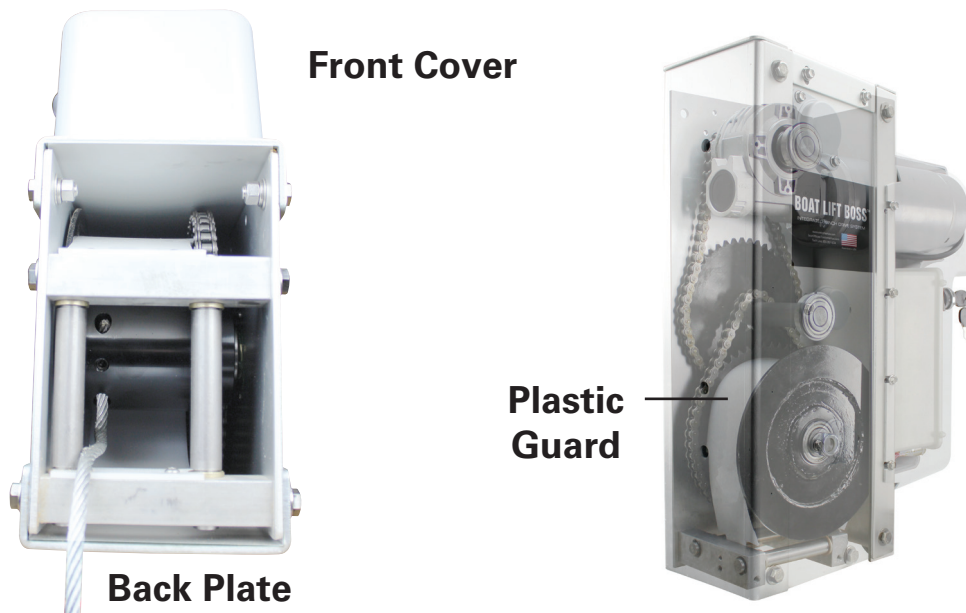
Winch Installation Instructions

- Locate winch post on boat lift.
- Attach winch to post using boat lift manufacturer supplied hardware and instructions.
 - o Some lifts may require a secondary mounting bracket to be installed first, consult instructions for your specific lift prior to installation.
 - o The winch back plate includes a variety of hole patterns to accommodate different brands. The winch must fasten in at least two places using the highest holes available.
 - o If lift hardware is not supplied or replacement hardware is needed, use grade 8 or equivalent 1/2" bolts, with oversized fender washers on both sides, lock washers, and nylock nuts.

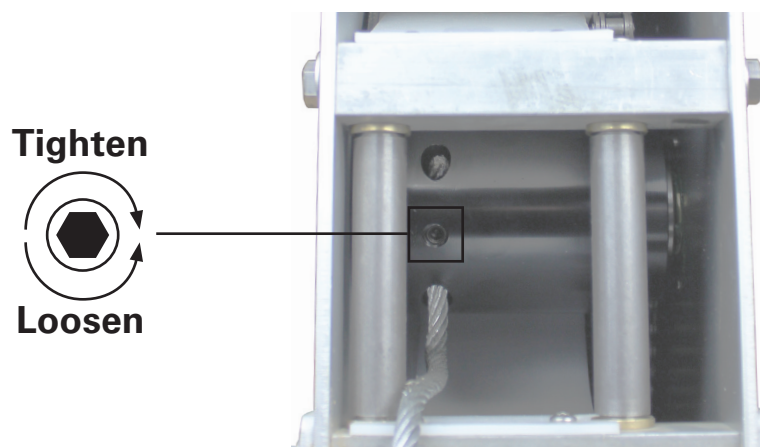
Cable Installation Instructions (5K)

DO NOT remove the plastic guard as it assists in guiding the cable.

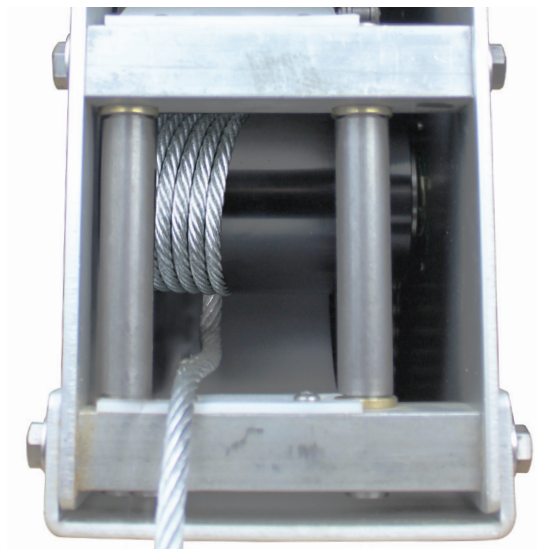
- Rotate drum until cable access hole is visible
- Insert cable in to bottom hole of the winch drum, do not let cable fully extend through the other end of the opening.



- Holding cable in position, operate winch down until the set screw is visible, and tighten set screw



- Keeping tension on the cable, operate winch up until lift rack starts to raise.



Contents:

Qty. Description

- 1 - Boat Lift Boss™
- 2 - Keys
- 1 - Wire harness with battery ring terminal connectors (12 volt models only)
- 1 - Wireless remote (Remote control models only)

Maintenance

Inspect Boat Lift Boss™ and electrical connections regularly to insure that all parts

Storage

Cover Boat Lift Boss™ to prevent damage from snow, rain, ice, and UV rays.

Back-Up Drive

During power outage, remove the black plastic plug above the key switch, use a drill with a 1/4" extension and a 7/16" or 1/2" socket on the exposed hex head. Counter-clockwise lifts boat and clockwise lowers boat.

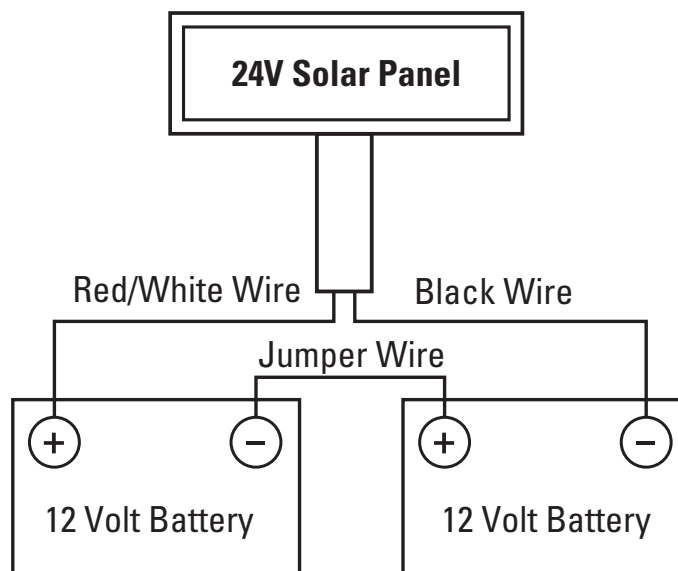
24 VOLT DIAGRAM

Using 24-volt power can nearly double your pulling speed. Wire the batteries in series according to the following instructions and diagram.

⚠️ WARNING: Electric arc flash hazard. Improperly connected terminals may result in explosion or electric shock. Follow all instructions for wiring in series. Always connect to positive (+) terminal before negative (-) terminal.

- 1) Attach the jumper wire to the positive (+) terminal of one battery, then the negative (-) terminal of the other.
- 2) Attach the solar panel's positive (+) power lead to the remaining positive (+) battery terminal.
- 3) Attach the solar panel's negative (-) power lead to the remaining negative battery terminal.

White or red wire: Positive +
Black wire: Negative -



LIMITED WARRANTY

Extreme Max™ Boat Lift Boss™ Direct Drive Systems are conditionally warranted for consumer use for 2 years after the date of retail purchase. Warranty valid only in the USA and Canada.

Extreme Max™ Boat Lift Boss Direct Drive Systems are conditionally warranted to the original retail purchaser to be free from defects in material and workmanship, ordinary wear and tear expected. This warranty shall not apply to any defects caused by (I) overloading, (II) physical abuse of goods or any acts of vandalism by any person, (III) improper installation or use contrary to the instructions, (IV) commercial use, (V) saltwater use. The sole remedy under this warranty is at the discretion of the manufacturer: the repair of the product by the manufacturer at the manufacturer's facility, or the replacement of the same or similar product. Extreme Max™ is not responsible for any consequential or incidental damages. The consumer shall be responsible for shipping charges to return any unit believed to be defective to Extreme Max™. Repaired or replacement units shall be returned to the consumer at the manufacturer's expense. In the event that a unit is not defective, it will be returned to the consumer at the consumer's expense. Any and all expedited freight charges to handle warranty claims are the responsibility of the consumer. Extreme Max™ is not responsible for any 3rd party labor charges that may be incurred in removing, transporting or installing the lift.

Extreme Max™ disclaims any other express warranties, all UCC implied warranties, and warranties of merchantability and fitness for purpose.

To expedite warranty service, please complete and return the Warranty Registration Card along with a copy of original retail sales receipt at the time of purchase.

To submit a warranty claim, please send your name, mailing address, original sales receipt and summary of alleged defect to boatliftboss@extrememax.com. Please e-mail or call (651) 357-1862 with questions regarding warranty service and claims.

**If there are any missing or damaged parts,
DO NOT return Boat Lift Boss™ to the retailer.**

Call the Boat Lift Boss™ Service Dept. at: 651-357-1862

E-mail - boatliftboss@extrememax.com