

**Read, Follow, and Save These Instructions.**

**3011.7213**

Read and understand all safety warnings and instructions before attempting installation of this product.

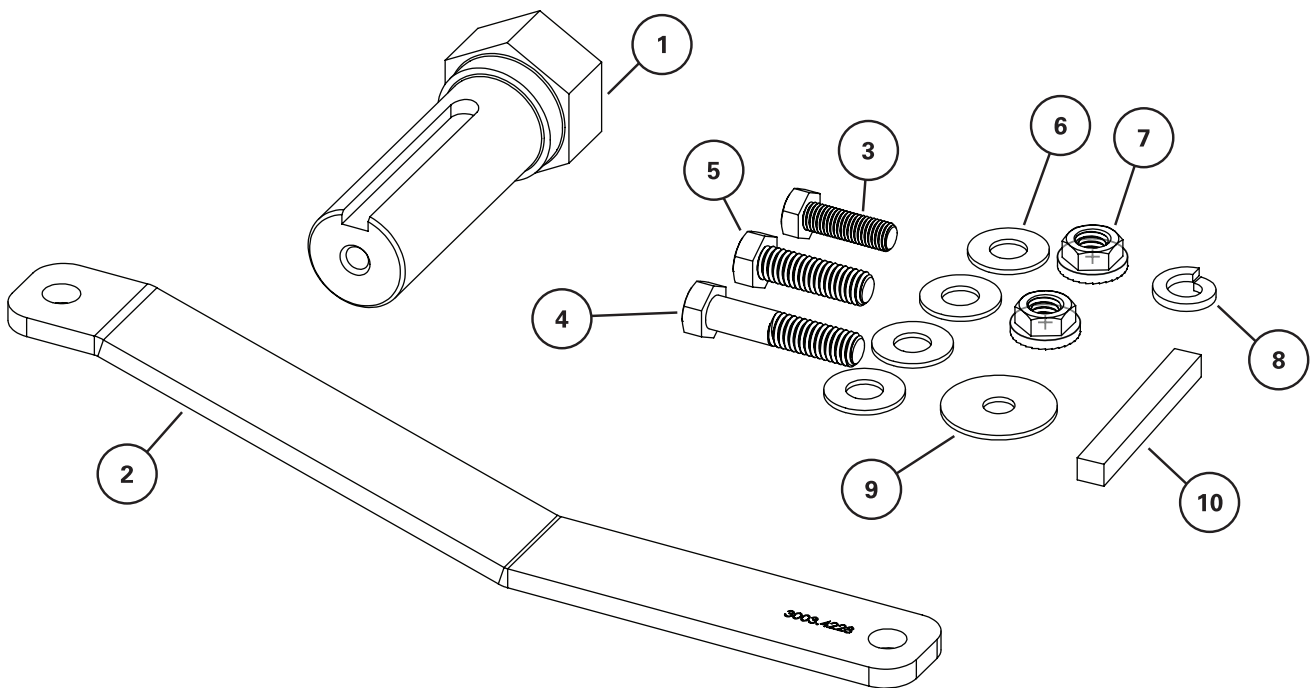
**⚠ Warnings:**

- Never connect a Boat Lift Boss™ unit to a power source until installation is complete.
- Prior to installation, ensure the existing winch box is solidly and safely secured to the boat lift frame.
- Never install a Boat Lift Boss™ unit onto a damaged, rusted, or in any way weakened winch box as this may cause an unsafe installation and/or operation of the unit.
- Regularly inspect the structural integrity of the winch box, boat lift, and lift cable. If damaged or missing components are found, immediately cease operation and seek the guidance of your local boat lift dealership or lift manufacturer in the replacement or repair of the component(s).

Item No.	Part Number	Description	Qty
1	3007.2602	Keyed Drive Stub	1
2	3003.4228	Angled Bracket	1
3	92240A305	5/16-24 x 1.0 Hex Head Bolt, Stainless	1
4	92198A630	3/8-16 x 1.75 Hex Head Bolt, Stainless	1
5	92240A626	3/8-16 x 1.25 Hex Head Bolt, Stainless	1
6	92141A031	3/8" Washer, Stainless	4
7	93776A461	3/8-16 Serrated Flange Lock Nut, Stainless	2
8	92146A031	3/8" Split Washer	1
9	90313A111	5/16" Fender Washer, Stainless	1
10	3005.5508	8mm Machine Key	1

**Additional Components**

- Synthetic Grease x 1
- Threadlocker x 1



## Installation Instructions

*Read all information included on page 1 before beginning operation or installation.*

### 1. Lift Cradle Positioning

- Lower the boat lift cradle into its lowest position until there is no tension on the cable. Secure the boat with a rope so it doesn't float away.

### 2. Remove the Wheel and Braking System

- To remove the wheel from the boat lift, remove the fastener from the center of the wheel. Turn the wheel counter-clockwise until it unthreads from the winch box.
- Remove the 7/8" bronze washer from the winch input shaft and save for future use if a hand wheel is required.

### 3. Installing the Boat Lift Boss™

- Clean the winch box input shaft and apply threadlocker directly to the shaft threads.
- Thread the keyway drive stub onto the winch box input shaft and hand tighten.
- Liberally apply grease to the shaft of the keyway drive stub, then seat the key into the keyway slot.
- Remove the black rubber plug from the face of the Boat Lift Boss™ unit.
- Align the keyway on the drive stub with the keyway entry slot on the Boat Lift Boss™ unit. Push the Boat Lift Boss™ unit fully into the drive stub.
- Place a 3/8" split washer onto the 5/16" bolt, followed by the 5/16" fender washer. Insert the bolt onto the open hole and thread it into the drive stub to secure the unit to the winch box. Tighten the bolt to 20 lbs. torque. Do not over tighten.
- Reinstall the black rubber plug into its original hole.

### 4. Final Connections and Adjustment

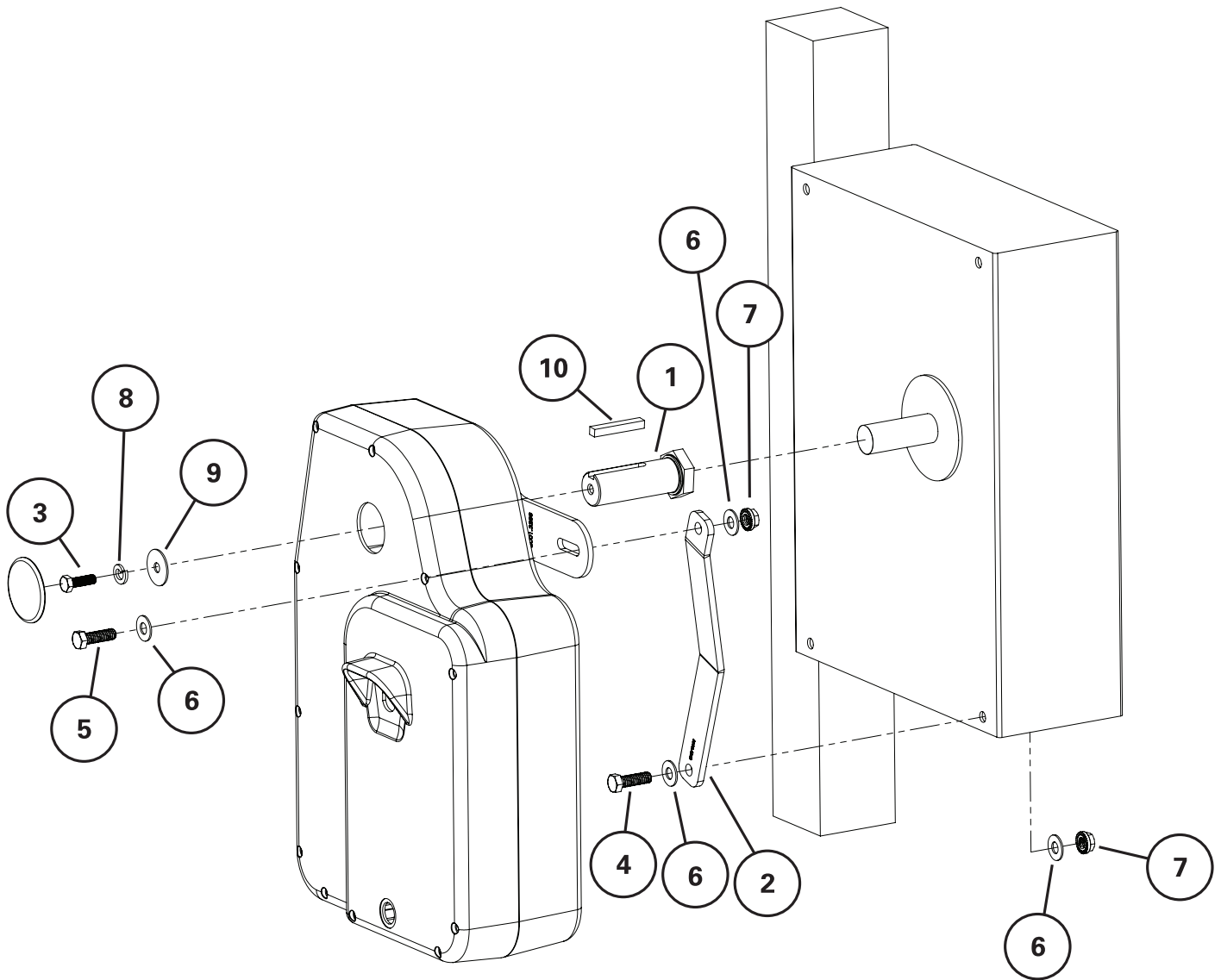
- Install the angled bracket to the bottom right corner of the winch box using the 3/8-16 x 1.75 hex head bolt, two 3/8" washers, and a 3/8-16 serrated flange lock nut as shown. If no hole is present, drill a 3/8" hole at the lower right corner of the winch box.
- Connect the angled bracket to the teardrop bracket on the back of the Boat Lift Boss unit by inserting the 3/8-16 x 1.25 hex head bolt and 3/8" washer through the aligned holes. Secure with a second 3/8" washer and a 3/8" serrated flange lock nut.
- Check all fasteners and make final adjustments. If needed, loosen the teardrop bracket from the Boat Lift Boss unit using a 10 mm wrench to straighten the unit. Tighten all hardware when the adjustments are complete



#### **Warning:**

At this time it is important to check that lifting the unit can only be done when the gear head rotates in a clockwise direction. Attempting to lift in a counter-clockwise direction may unscrew the unit from the winch box, causing serious personal injury or property damage. If you have questions or do not understand this procedure, STOP and call the Boat Lift Boss Service Department at 651-357-1862 between 8:00 A.M. and 5:00 P.M. Central Standard Time, Monday through Friday, or email [boatliftboss@extrememax.com](mailto:boatliftboss@extrememax.com).

Item No.	Part Number	Description	Qty
1	3007.2602	Keyed Drive Stub	1
2	3003.4228	Angled Bracket	1
3	92240A305	5/16-24 x 1.0 Hex Head Bolt, Stainless	1
4	92198A630	3/8-16 x 1.75 Hex Head Bolt, Stainless	1
5	92240A626	3/8-16 x 1.25 Hex Head Bolt, Stainless	1
6	92141A031	3/8" Washer, Stainless	4
7	93776A461	3/8-16 Serrated Flange Lock Nut, Stainless	2
8	92146A031	3/8" Split Washer	1
9	90313A111	5/16" Fender Washer, Stainless	1
10	3005.5508	8mm Machine Key	1



# If there are any missing or damaged parts, DO NOT return Boat Lift Boss™ to the retailer.

Call the Boat Lift Boss™ Service Dept. at (651) 357-1862  
E-mail - boatliftboss@extrememax.com

## Limited Warranty

Extreme Max™ Boat Lift Boss™ Direct Drive Systems are conditionally warranted for consumer use for 2 years after the date of retail purchase. Warranty valid only in the USA and Canada.

Extreme Max™ Boat Lift Boss™ Direct Drive Systems are conditionally warranted to the original retail purchaser to be free from defects in material and workmanship, ordinary wear and tear expected. This warranty shall not apply to any defects caused by (I) overloading, (II) physical abuse of goods or any acts of vandalism by any person, (III) improper installation or use contrary to the instructions, (IV) commercial use, (V) saltwater use. The sole remedy under this warranty is at the discretion of the manufacturer: the repair of the product by the manufacturer at the manufacturer's facility, or the replacement of the same or similar product. Extreme Max™ is not responsible for any consequential or incidental damages. The consumer shall be responsible for shipping charges to return any unit believed to be defective to Extreme Max™. Repaired or replacement units shall be returned to the consumer at the manufacturer's expense. Any and all expedited freight charges to handle warranty claims are the responsibility of the consumer. Extreme Max™ is not responsible for any 3rd party labor charges that may be incurred in removing, transporting or installing the lift.

Extreme Max™ disclaims any other express warranties, all UCC implied warranties, and warranties of merchantability and fitness for purpose.

To expedite warranty service, please complete and return the Warranty Registration Card along with a copy of original retail sales receipt at the time of purchase.

To submit a warranty claim, please send your name, mailing address, original sales receipt and summary of alleged defect to boatliftboss@extrememax.com. Please e-mail or call (651) 357-1862 with questions regarding warranty service and claims.

3015.2147

**Boat Lift Boss™  
Installation Instructions  
For RGC® Boat Lifts**



158573