

# ***EXTREME MAX PRODUCTS***

**NARROW 1100 IB. MOTORCYLCE SCISSORS JACK**

Part # 5001.5047

## **WARNING!**

- Risk of personal injury or property damage.
- Jack capacity is 1,100 lbs. Do not exceed jack capacity.
- Pinch hazard, keep clear of moving parts.
- Risk of load loss. Secure and stabilize load.
- Use lift only on solid, level surface.
- Inspect lift before each use, do not use lift if any components are damaged.
- Raise and lower lift following instructions given. Do not use an impact gun or other device to raise or lower lift.

*Intended for use as secondary lift for motorcycle maintenance. Use of this product for any other purpose voids warranty*

## **Operation:**

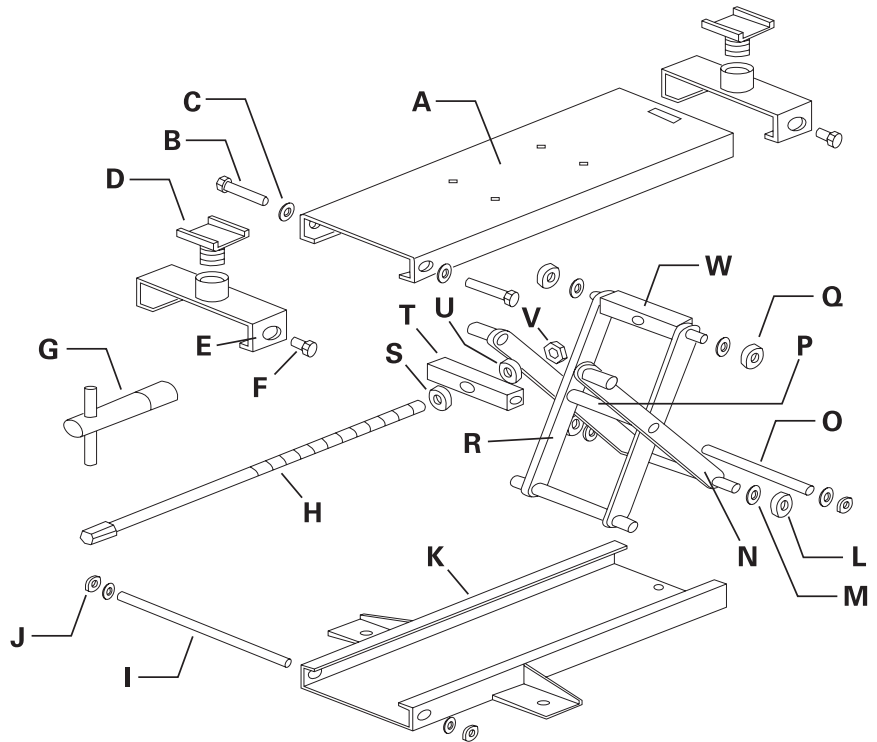
1. Use handle to rotate screw and adjust platform height. - Do not use Impact Wrench or Drill.
2. Position lift at the bottom of the motorcycle.
3. Align the center of the load with the pivot.
4. Keep load stabilized and lift.
5. Secure motorcycle before performing any maintenance work.
6. To lower lift, use the handle to slowly lower platform until it separates from the pivot.
7. Remove lift.

## **Maintenance:**

Lubricate screw and nuts before use to minimize lift friction.  
Store lift in lowest position in a dry area.

## Parts List:

Name	Qty.
(A) Platform	1
(B) M12x50 Bolt	2
(C) M12 Washer	10
(D) Saddle	2
(E) Adjustable Plate	2
(F) M10x25 Bolt	2
(G) Handle	1
(H) Lifting Screw	1
(I) Inner Fixing Spindle	1
(J) Spring Blocking	4
(K) Base Plate	1
(L) Outer Frame Roller	2
(M) M20 Washer	4
(N) Outer Lift Arm	1
(O) Connecting Pin	1
(P) Middle Bushing	1
(Q) Inner Frame Roller	2
(R) Inner Lift Arm	1
(S) Bearing	2
(T) Outer Fixing Spindle	1
(U) Fixing Nut	1
(V) M6 Lock Nut	1
(W) Removable Spindle	1



## **Product Satisfaction Guarantee**

At Extreme Max, we pride ourselves on making quality products and wish to correct any mistakes on our end. If you are not 100% satisfied with the product, for any reason, please reach out to us. We are here to help!

## **Warranty**

This product is warranted for consumer use for 2 years after the date of retail purchase. Warranty includes parts only. Warranty valid only in the USA.

This product is warranted to the original retail purchaser to be free from defects in material and workmanship, ordinary wear and tear expected. This warranty shall not apply to any defects caused by: (I) overloading, (II) physical abuse of goods or any acts of vandalism by any person, (III) improper installation or use contrary to the instructions, (IV) commercial use. The sole remedy under this warranty is at the discretion of manufacturer: the replacement of the same or similar product, or the refund of the original purchase price. Extreme Max™ is not responsible for any consequential or incidental damages. Any and all freight charges to handle warranty claims are the responsibility of the consumer. Extreme Max™ is not responsible for any labor charges that may be incurred.

**For all inquiries please send your name, mailing address, main contact phone number, original retail sales receipt, summary of alleged defect and any applicable pictures to [service@extrememax.com](mailto:service@extrememax.com).**

**[service@extrememax.com](mailto:service@extrememax.com)**  
**[www.extrememax.com](http://www.extrememax.com)**