



Attach UniMount™ Universal Mount to begin installation. See UniMount™ Installation Manual for instructions. Do not assemble plow blade or push tubes until UniMount™ is installed.

5500.5010 - 50" Plow W/ UniMount
5500.5097 - 50" Plow F/ Polaris
Sportsman 570
5500.5099 - 50" Plow F/ Cam-Am
Outlander

Note:

If you have questions regarding your plow, we can help. Please call customer service: (651)358-1862. Calls are answered on regular business days, Monday-Friday from 8am-5pm CST.

Extreme Max™ wants you to put safety first. Please be aware of all safety and use information included in instructions and labels. This information identifies the most common potential hazards of plow use. This information is not a comprehensive summary of all potential hazards. Exercise caution while using this product.

Plow Safety

Read this manual thoroughly before operating your plow. Failure to follow instructions could result in death, serious injury or property damage. If you have questions regarding safe installation and/or use of your plow, contact customer service at (651) 358-1862 on regular business days Monday-Friday from 8am-5pm CST, or e-mail service@extrememax.com.

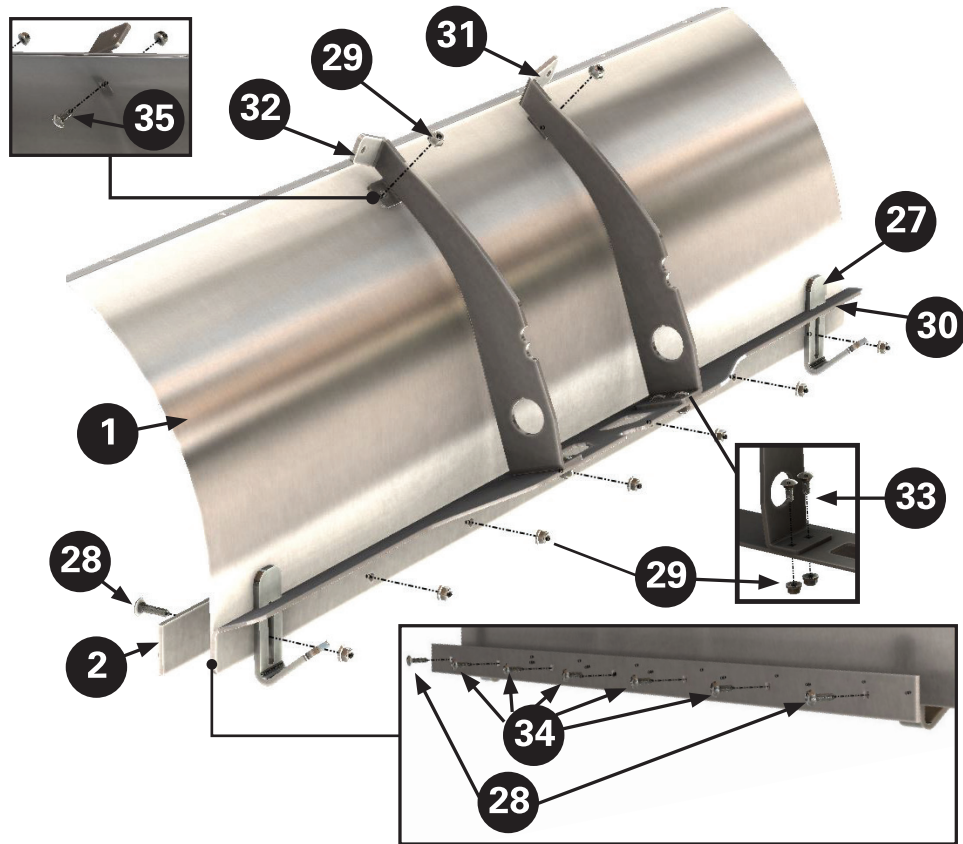


Warnings:

- 1) Plow is not for use by children. Do not use plow near children or allow children to play on the plow.
- 2) Plow is not for use by inexperienced ATV operators.
- 3) Never stand or ride on the plow. Always mark intended plow areas prior to snowfall to prevent accidental property damage or injury caused by collision with unmarked hazards.
- 4) Take care when installing plow springs. They will be under tension.
- 5) Use care when lifting components into place.
- 6) Make sure that all nuts and bolts are tightened per installation instructions.
- 7) Never operate this product with missing or damaged parts.
- 8) Do not exceed 5 mph while plowing snow or operating ATV with plow attached, even with the blade fully raised.
- 8) Drive slowly over bumpy and rough terrain, driving fast could cause damage to winch or plow.
- 9) Never raise the plow above point of contact as it could cause damage to machine, plow or winch.
- 10) Always perform regular inspections and maintenance on plow tubes and hardware before use.
- 11) Operate with extreme caution on slopes, steep grades, and rough terrain.
- 12) Be aware of any possible hidden objects under the snow.
- 13) Do not ram plow blade into snow piles.
- 14) Know and follow all local snow removal and noise rules and restrictions. Never pile snow outside your property or on streets or sidewalks. Keep areas around fire hydrants, mailboxes, water drains, and electrical boxes clear of snow and never pile snow in a way that obstructs their access.

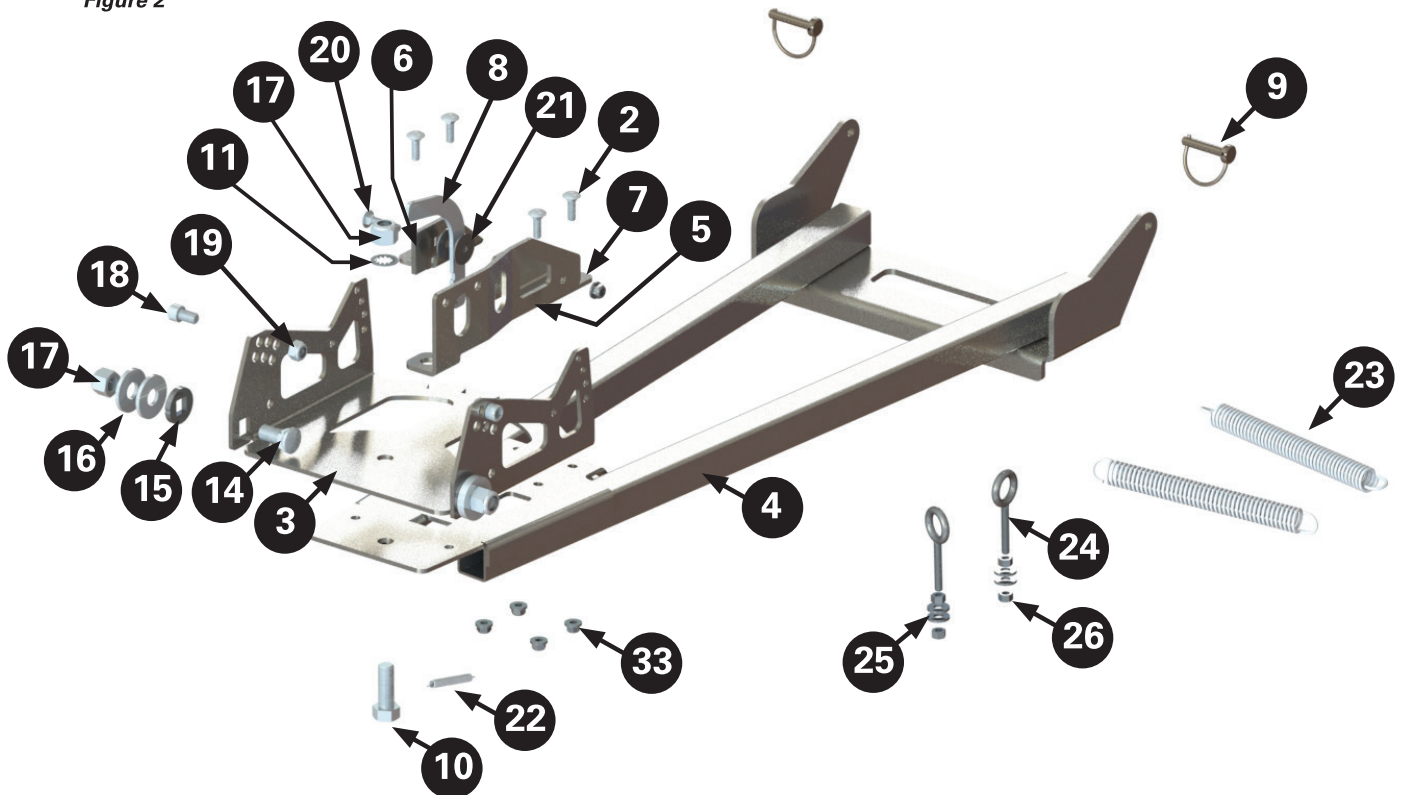
Uniplow™ Blade Parts:

Figure 1



Uniplow™ Push Tube Parts:

Figure 2



UniPlow™ Parts:

Item	Description	Qty.	Item	Description	Qty.
1	UniPlow Blade	1	19	7/16"-14 Lock Nut	2
2	Reversible Wear Bar	1	20	5/16"-18 x 1.5" Carriage Bolt	1
3	Pivot Plate	1	21	5/16" x 1.25" Fender Washer	2
4	Push Tube	1	22	Pivot Lever Spring	1
5	Tube Plate	1	23	Plow Spring	2
6	Pivot Handle Plate (RH)	1	24	Eyebolt	2
7	Pivot Handle Plate (LH)	1	25	5/16" Flat Washer	4
8	Pivot Handle	1	26	5/16"-18 Hex Nut	4
9	Safety Pin	2	27	Skid Pad	2
10	5/8"-11 x 1.75" Hex Bolt	1	28	5/16"-18 x 1.25" Carriage Bolt	2
11	5/8" Star Washer	1	29	5/16"-18 Lock Nut	13
12	5/16"-18 x 1" Carriage Bolt	4	30	Blade Support Bracket	1
13	5/16"-18 Flanged Lock Nut	5	31	Blade Brace (RH)	1
14	5/8"-11 x 1.5" Carriage Bolt	2	32	Blade Brace (LH)	1
15	Pitch Bushing	2	33	5/16"-18 x 3/4" Carriage Bolt	4
16	5/8" Fender Washer	4	34	5/16"-18 x 1" Carriage Bolt	5
17	5/8"-11 Lock Nut	3	35	5/16"-18 Short-Neck Carriage Bolt	1
18	7/16"-14 x 0.75" Socket-Head Cap Screw	2			

Installation Instructions

Read all information included on page 1 before beginning operation or installation.

Blade Assembly

1. Before starting the blade and tube assembly, install UniMount™ Universal Mount.

Note: The provided carriage bolts have two different neck lengths, short and standard. See Figure 3 for illustration. The short-neck carriage bolt (35) will be used in step 2.

1. Create the blade frame assembly by attaching the right blade brace (31) and the left blade brace (32) to the blade support bracket (30) as shown in Figure 4. Attach the two blade braces using a 5/16"-18 x 3/4" carriage bolt (33) and 5/16"-18 lock nut (29) through each of the four aligned bolt holes.
2. Attach the blade frame assembly to the UniPlow blade (1). Align the two bolt holes at the top of the blade frame assembly with the matching bolt holes in the UniPlow blade. From the front (concave) side of the blade, insert a 5/16"-18 short-neck carriage bolt (35) through both aligned bolt holes. Loosely secure both bolts with a 5/16"-18 lock nut (29).
3. Position the reversible wear bar (2) in front of the UniPlow blade (1). Align the mounting holes at the bottom edge of the UniPlow blade. Place a 5/16"-18 x 1" carriage bolt (34) through the wear bar, blade, and blade frame assembly at five center-most mounting hole locations.
4. At the remaining two open bolt holes, insert a 5/16"-18 x 1.25" carriage bolt (28). Place the skid pads (27) into the skid pad channel and onto the open bolt threads at the back of the blade with the end pointing away from the face of the blade. Use the skid pad's bolt channels to set them to the desired height.
5. Secure all seven open carriage bolts with a 5/16"-18 lock nut (29).

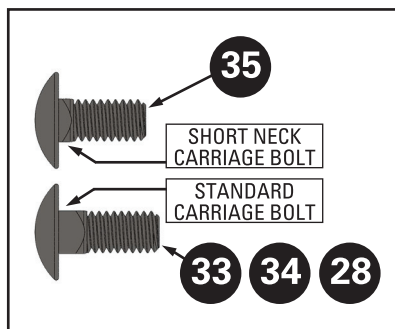


Figure 3: Carriage Bolt Diagram

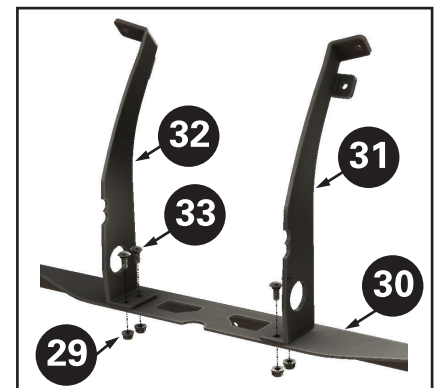


Figure 4: Blade Frame Assembly

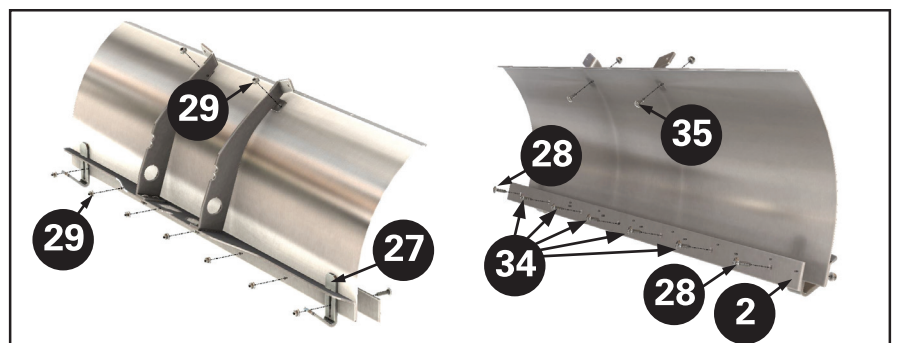
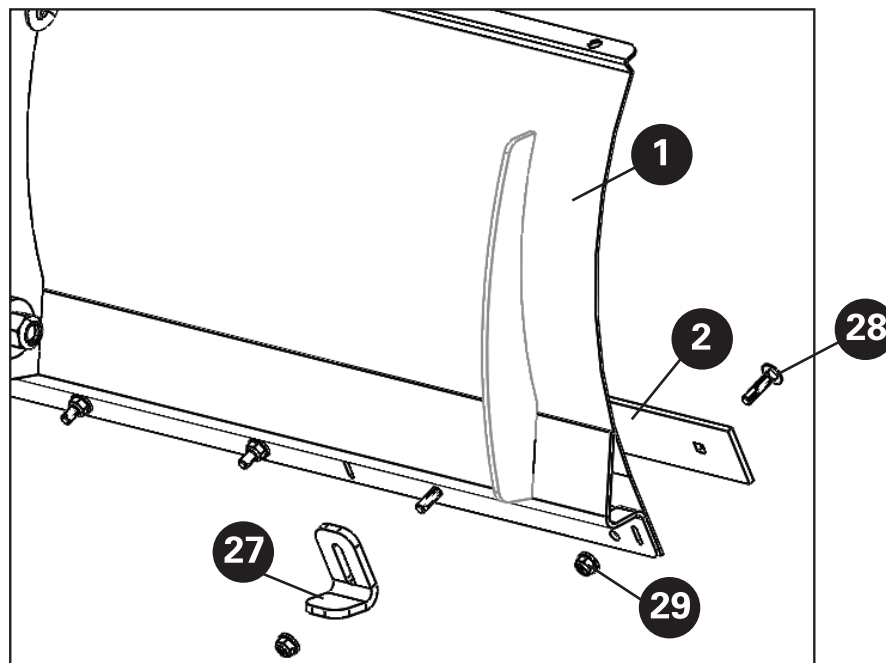


Figure 5: Cutter Blade, Frame and Feet Install

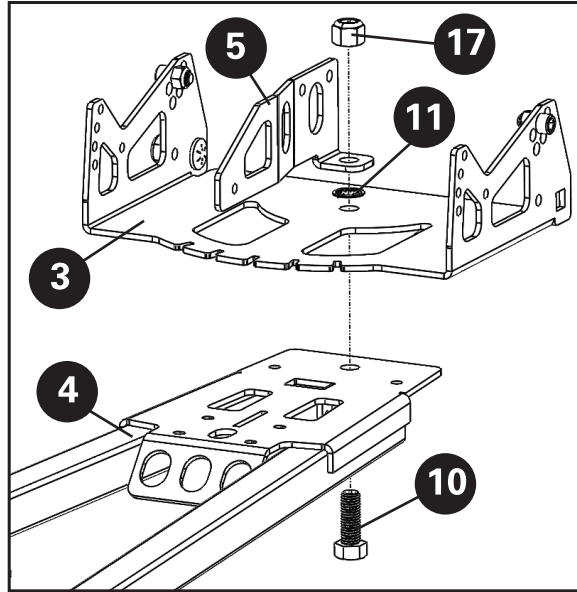
Blade Assembly

1. Position the reversible wear bar (2) in front of the UniPlow blade (1). Align the mounting holes at the bottom edge of the UniPlow blade. Place a 5/16"-18 x 1.25" carriage bolt (28) through the wear bar and blade at each of the nine mounting hole locations.
2. Determine the desired placement for the skid pads (27) along the base of the blade. Skid pads may be positioned at either the 1st and 9th wear bar bolt holes or the 2nd and 8th wear bar bolt holes. Place the skid pad onto the open bolt threads at the back of the blade with the end pointing away from the face of the blade. Use the skid pad's bolt channels to set them to the desired height.
3. Secure all nine bolts with a 5/16"-18 lock nut (29).

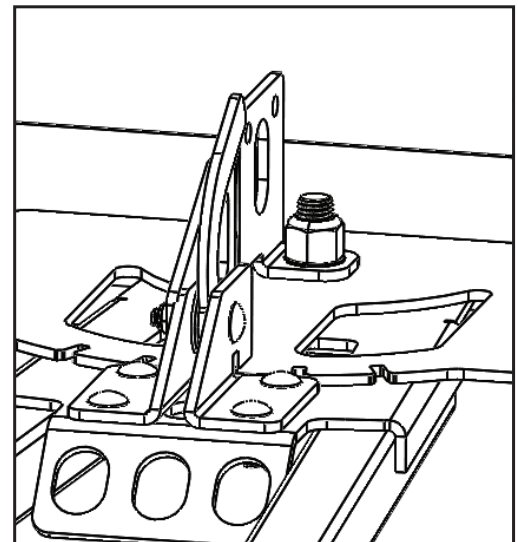
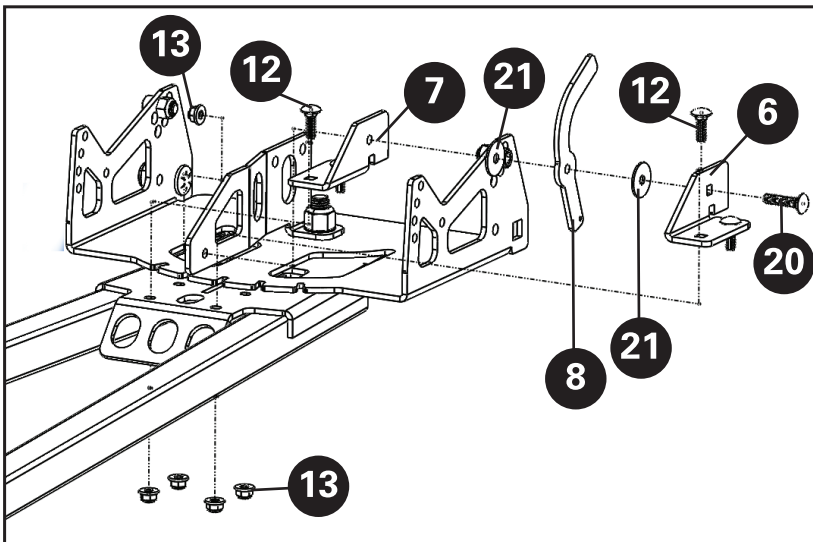


Push Tube Assembly

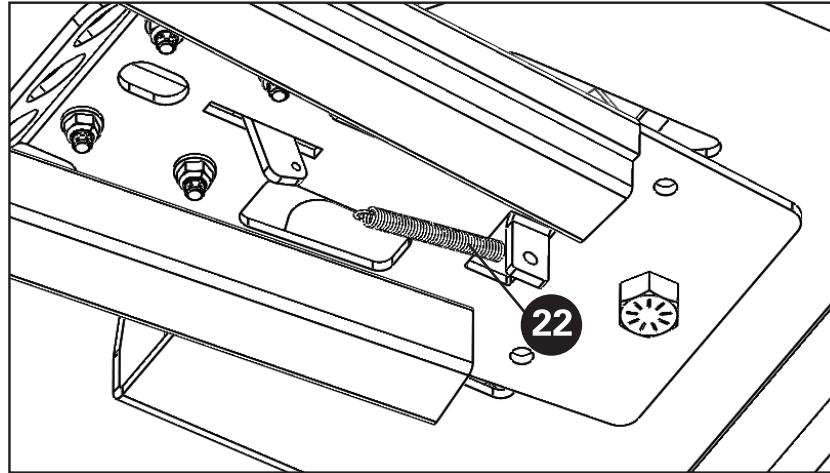
1. Locate the push tube (4) and pivot plate (3). Place the pivot plate on top of the push tube and align the large center bolt hole with the matching hole at the narrow end of the push tube. From the bottom, insert the 5/8"-11 x 1.75" hex bolt (10) through the hole. Place the 5/8" star washer (11) on the open threads of the hex bolt, followed by the tabbed edge of the tube plate (5) and a 5/8"-11 lock nut (17). Tighten the lock nut enough so that the plate pivots easily but is not loose.



2. Place the left pivot handle plate (7) into position along the push tube. The tabbed end should sit just over the pivot plate. Fasten the left pivot handle plate with a 5/16"-18 x 1" carriage bolt (12) and 5/16"-18 flanged lock nut (13) at both mounting holes. Pivot the tube plate so that it aligns with the left side of the left pivot handle plate.
3. Locate the right pivot handle plate (6), 5/16"-18 x 1.5" carriage bolt (20), two 5/16" x 1.25" fender washers (21), and a 5/16"-18 flanged lock nut (13). Place the carriage bolt through the square hole on the angled face of the right pivot handle plate. On the open bolt threads, place a fender washer, pivot handle (8), and a second fender washer in that order as shown. Next, feed the bolt through the tab on the mounted left pivot handle plate. Loosely secure the assembly with the flanged lock nut.
4. Align the bolt holes on the right pivot handle plate with the mounting holes in the push tube and secure it with a 5/16"-18 x 1" carriage bolt (12) and 5/16"-18 flanged lock nut (13) at both mounting holes.
5. Tighten the flanged lock nut from step 3 so that the pivot handle moves freely but does not wobble.

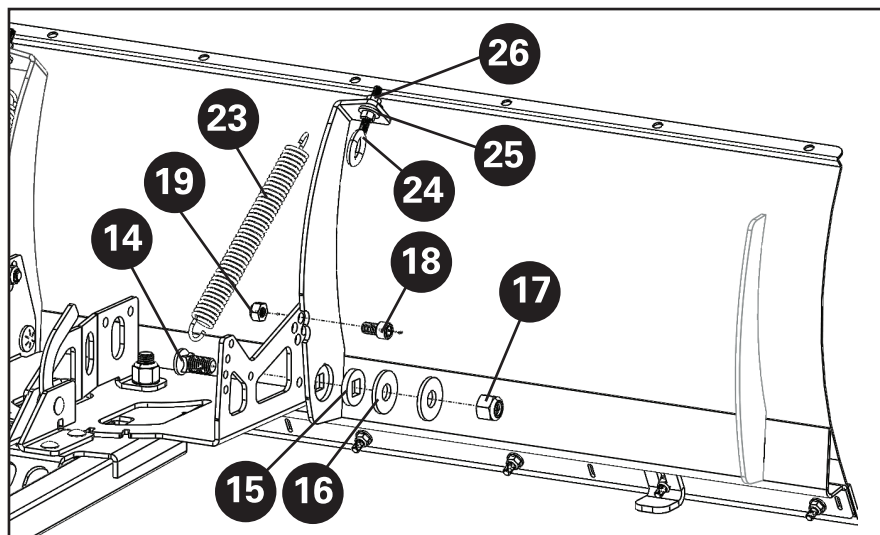


- On the bottom of the push tube assembly, locate the spring mounting tab. Attach the pivot lever spring (22) from this tab to the hole on the bottom of the pivot handle.



Plow Assembly

- Attach the entire push tube assembly to the UniPlow blade. Align the large bolt holes in the side of the pivot plate with the bolt holes at the bottom of the two center blade braces. From inside the assembly, place a 5/8"-11 x 1.5" carriage bolt (14) through each hole. Place the pitch bushing (15) onto the open end of each bolt and into the bushing groove, followed by two 5/8" fender washers (16), then a 5/8"-11 lock nut (17). Tighten each lock nut enough so that the blade pivots easily on the push tube assembly but is not loose.
- Locate the two eyebolts (24). Thread a 5/16"-18 hex nut (26) onto the end of each eyebolt, threading them as close to the eye as possible. Next, place the ends of the plow springs (23) through the top spring hole on each side of the pivot plate. Place the free end of the spring into the eye-end of an eyebolt, then place a 5/16" flat washer (25) onto the open threads of the eyebolt. Insert the threads of the eyebolt into the bolt holes at the top of the blade brace. Loosely secure the eyebolt with another 5/16" flat washer (25) and 5/16"-18 hex nut (26).
- Next, find the desired tilt angle for the plow blade. Position the entire assembly so that the face of the blade is sitting flat against the ground. Use a foot on the top of the blade to hold it in place and hinge the push tube to the desired position. Once the position is achieved, insert a 7/16"-14 x 0.75" socket-head cap screw (18) through the tilt angle hole that provides the desired angle at each side of the blade brace and secure each with a 7/16"-14 lock nut (19).
- Return to the eyebolts. Begin tightening the 5/16"-18 hex nut (26) opposite the eyebolt's eye until the desired spring tension is achieved. Tighten the lead nut back to the brace when finished.
 - Spring tension regulates how easily the blade folds forward when the base of the blade contacts an obstruction (such as a curb), preventing damage to the blade and potentially allowing the blade lift over the obstruction. Looser spring tension will allow the blade to fold easier, while tighter spring tension creates a more rigid plowing experience.
- Place the two safety pins (9) into the quick-mount holes on the push tube end opposite the blade. The UniPlow is now ready to be attached to a UniPlow mount.



Plowing Tips

ATV Maintenance – Plowing puts additional strain on your ATV. Proper maintenance, including clean fluids is essential.

Be Aware: Take note of weather and terrain conditions before you begin plowing, and maintain awareness of your surroundings at all times. Never operate plow if you're unable to safely operate your ATV under current weather or terrain conditions.

Blade Angle - For small areas, blade can be straight or at a slight angle. For large areas, set the plow blade at a slight or full angle.

Blade Temperature – If plow is stored in a warm place, allow plow blade to cool before beginning to plow. A warm blade will accumulate frozen snow during use.

Drive Area Clearance- During the first snowfalls of the season, clear additional width on driving areas to allow snow to accumulate throughout the season without narrowing the drive area. Raise the plow blade to skim over grass or other uneven/delicate terrain.

Heavy Snowfall - During heavy snowfall, "plow with the storm" and plan to clear your plow area multiple times. It is more effective to clear a few inches of accumulation at a time. If you're unable to clear the full amount of accumulation, adjust your blade height to skim a few inches from the top during your first pass. Making multiple passes to clear an area following greater accumulation allows you to fully clear the area with less risk of damage or injury. Never plow with the blade fully raised.

Plow Completely the First Time: Don't let tracks or partially cleared areas sit overnight or for long periods of time. Frozen tracks and ridges will impact your ability to plow safely and effectively.

Plow Area: Mark your plow area in advance of snowfall with flags or other markers that will be easily visible after the snowfall. Mark any potential hazards that may be hidden after snowfall. Marking your plow area will help you to avoid property damage or injury caused by terrain or unseen obstacles or other hazards.

Plowing on Incline – Plow downhill as much as possible to avoid overloading the ATV on uphill passes. Plan to clear downhill passes with full blade width and uphill passes with ½ blade width to insure sufficient power. Both tire chains or added weight can help you to maintain a strong uphill plow.

Raising the Plow – Know when your plow is fully raised and do not attempt to raise it further to avoid extra pull on winch cable. Winch cable experiences undue strain when the plow/push tubes collide with the ATV.

Snow Conditions – Sticky, slushy snow will plow differently than fluffy powder. It will affect how your ATV handles and how much snow you can move with each pass. The make and model of your ATV will also affect your plowing power. Most ATVs using UniPlow™ should be able to clear 7" of powder and 4" of dense or slushy snow. When in doubt, start your path slowly and modify your blade height or angle if necessary.

Tire Chains- Extreme Max™ offers V-Bar tire chains specifically designed to offer ATVs the extra traction they need in winter plowing conditions. Tire chains can help you maintain control in icy conditions and add extra traction for increased plowing power in denser snow.

Traction: Under icy conditions, we recommend tire chains for added traction and proper ATV control. Adding weight to the rear of the ATV can also increase stability and plow power.

Transmission – Always plow in the lowest transmission gear or lowest transmission gear 4WD.

Winch – Like most plows, UniPlow™ requires a winch to raise and lower the plow blade. Extreme Max™ recommends the Bear Claw™ 2800, but any traditional ATV winch will work.

Winch Line- Do not use synthetic line. Steel cable is recommended for its durability during repeated short-length repetitive pulls. Always regularly inspect steel cable for kinks, burs, breaks or other signs of damage, and replace worn or damaged cable before plowing. Failure to maintain cable may result in cable failure and plow damage.



1-YEAR LIMITED WARRANTY

Extreme Max™ warrants to the original purchaser that the product is free from defects in materials and workmanship for a period of one (1) year from the original date of purchase. We will repair or replace, at our discretion, parts found to be defective due to materials or workmanship. This warranty is subject to the following limitations and exclusions:

Commercial Use: This warranty does not apply to commercial use. Use of plow in commercial or rental applications voids warranty.

Limitations: This warranty applies only to products which have been properly assembled, adjusted, and operated in accordance with the instructions contained within this manual. This warranty does not apply to any product of Extreme Max™ that has been subject to alteration, misuse, abuse, improper assembly or installation, or shipping damage.

Exclusions: Excluded from this warranty are normal wear, normal adjustments, and normal maintenance.

THIS WARRANTY DOES NOT APPLY TO ANY INCIDENTAL OR CONSEQUENTIAL DAMAGES. ANY IMPLIED WARRANTIES ARE LIMITED TO THE SAME TIME PERIODS STATED HEREIN FOR ALL EXPRESSED WARRANTIES.

THE WARRANTY SET FORTH ABOVE IS THE ONLY WARRANTY. THERE ARE NO OTHER WARRANTIES, EXPRESS OR IMPLIED, INCLUDING BUT NOT LIMITED TO IMPLIED WARRANTIES OF MERCHANTABILITY OR FITNESS FOR A PARTICULAR PURPOSE.

Some states do not allow the exclusion of implied warranties or the exclusion or limitation of liability for incidental or consequential damages, or limitations on how long an implied warranty lasts, so the above limitation or exclusion may not apply to you. This warranty gives you specific legal rights. You may also have other rights that vary from state to state.

In the event you have a claim under this warranty, contact Extreme Max™ Customer Service and our service advisor will troubleshoot any issue via phone or e-mail. Service advisors are available M-F from 8am-5pm CST. Call (651)358-1862 or email. If the problem is not corrected by this method, Extreme Max™ will, at its option, authorize evaluation, repair or replacement of the defective part or component at our service center. Extreme Max™ will provide you with a case number for warranty service. Please keep it for future reference. Repairs or replacements without prior authorization, or at an unauthorized repair facility, will not be covered by this warranty.

All transportation charges, damage, or loss incurred during transportation of parts submitted for replacement or repair under this warranty shall be borne by the purchaser. Should you have any questions concerning this warranty, please contact us at (651)358-1862.

Proof of purchase is required for all warranty claims. To speed warranty claim service, please register your product with Extreme Max™ by mailing a copy of your sales receipt along with the completed Product Registration Card.



Fixez le support universel UniMount™ pour commencer l'installation. Consultez le Manuel d'installation UniMount™ pour obtenir des instructions. Ne pas assembler la lame de charrue ou les tubes-poussoirs avant que UniMount™ ne soit installé.

5500.5010 - 50" Plow W/ UniMount
5500.5097 - 50" Plow F/ Polaris
Sportsman 570
5500.5099 - 50" Plow F/ Cam-Am
Outlander

Note:

Si vous avez des questions concernant votre charrue, nous pouvons vous aider. Veuillez appeler le service clientèle: (651) 358-1862. Les appels sont traités les jours ouvrables, du lundi au vendredi de 8h à 17h CST.

Extreme Max™ veut que vous accordiez la priorité à la sécurité. Veuillez prendre connaissance de toutes les informations de sécurité et d'utilisation incluses dans les instructions et les étiquettes. Cette information identifie les dangers potentiels les plus courants liés à l'utilisation de la charrue. Ces informations ne constituent pas un résumé complet de tous les dangers potentiels. Soyez prudent lorsque vous utilisez ce produit.

Sécurité De La Charrue

Lisez attentivement ce manuel avant d'utiliser votre charrue. Le non respect de ces instructions peut entraîner la mort, des blessures graves ou des dommages matériels. Si vous avez des questions concernant l'installation et / ou l'utilisation en toute sécurité de votre charrue, contactez le service clientèle au (651) 358-1862 les jours ouvrables habituels, du lundi au vendredi de 8 h à 17 h, heure normale de l'Est, ou envoyez un courrier électronique à service@extrememax.com.

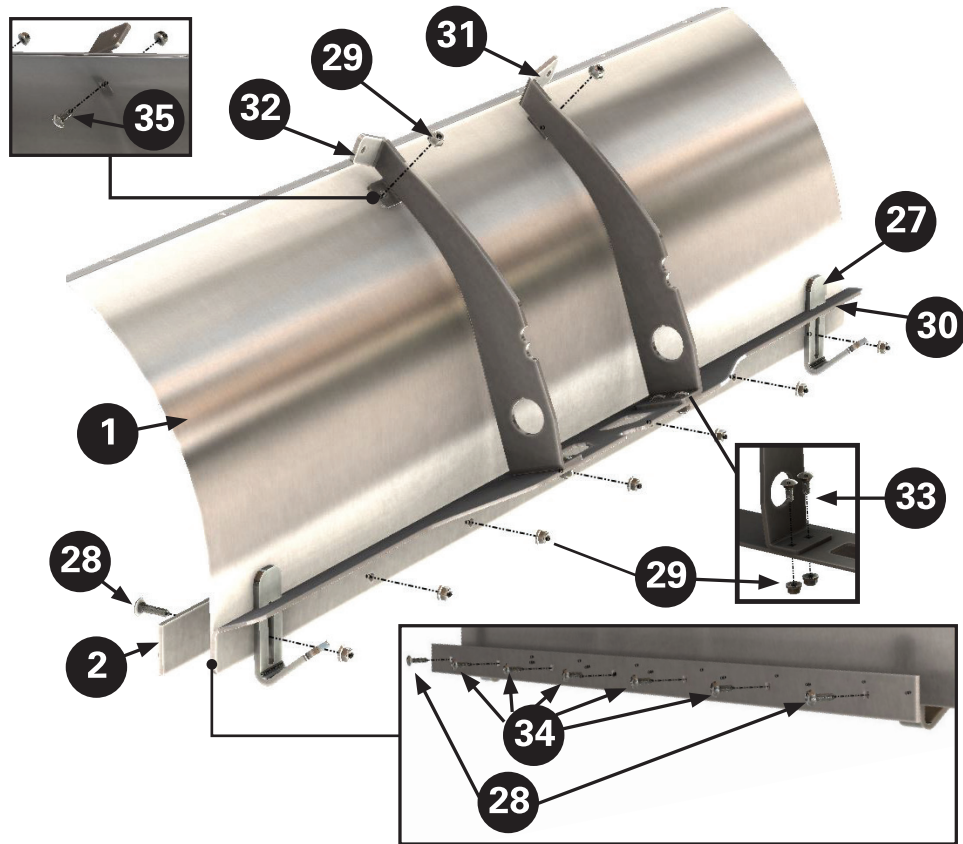


Avertissements:

- 1) La charrue n'est pas destinée aux enfants. N'utilisez pas la charrue près des enfants et ne laissez pas les enfants jouer sur la charrue.
- 2) La charrue ne doit pas être utilisée par des conducteurs de VTT inexpérimentés.
- 3) Ne jamais se tenir ou monter sur la charrue. Marquez toujours les zones de labour prévues avant la chute de neige pour éviter les dommages matériels accidentels ou les blessures causées par une collision avec des dangers non signalés.
- 4) Faites attention lors de l'installation des ressorts de charrue. Ils seront sous tension.
- 5) Faites attention lorsque vous soulevez des composants.
- 6) Assurez-vous que tous les écrous et boulons sont serrés conformément aux instructions d'installation.
- 7) Ne jamais utiliser ce produit avec des pièces manquantes ou endommagées.
- 8) Ne dépassez pas 5 mi / h lors du déneigement ou de l'utilisation d'un VTT avec la charrue attachée, même avec la lame complètement relevée.
- 8) Conduisez lentement sur des terrains cahoteux et accidentés. Une conduite rapide pourrait endommager le treuil ou la charrue.
- 9) Ne jamais soulever la charrue au-dessus du point de contact car cela pourrait endommager la machine, la charrue ou le treuil.
- 10) Toujours effectuer des inspections et un entretien réguliers des tubes et du matériel de charrue avant utilisation.
- 11) Conduisez avec une extrême prudence sur les pentes, les pentes raides et les terrains accidentés.
- 12) Soyez conscient de la présence éventuelle d'objets cachés sous la neige.
- 13) Ne pas enfoncer la lame dans les piles de neige.
- 14) Connaissez et suivez toutes les règles et restrictions locales relatives au déneigement et au bruit. N'empilez jamais la neige à l'extérieur de votre propriété, dans les rues ou sur les trottoirs. Veillez à ce que les zones autour des bouches d'incendie, des boîtes aux lettres, des drains d'eau et des boîtiers électriques soient exempts de neige et ne les empilez jamais de manière à en empêcher l'accès.

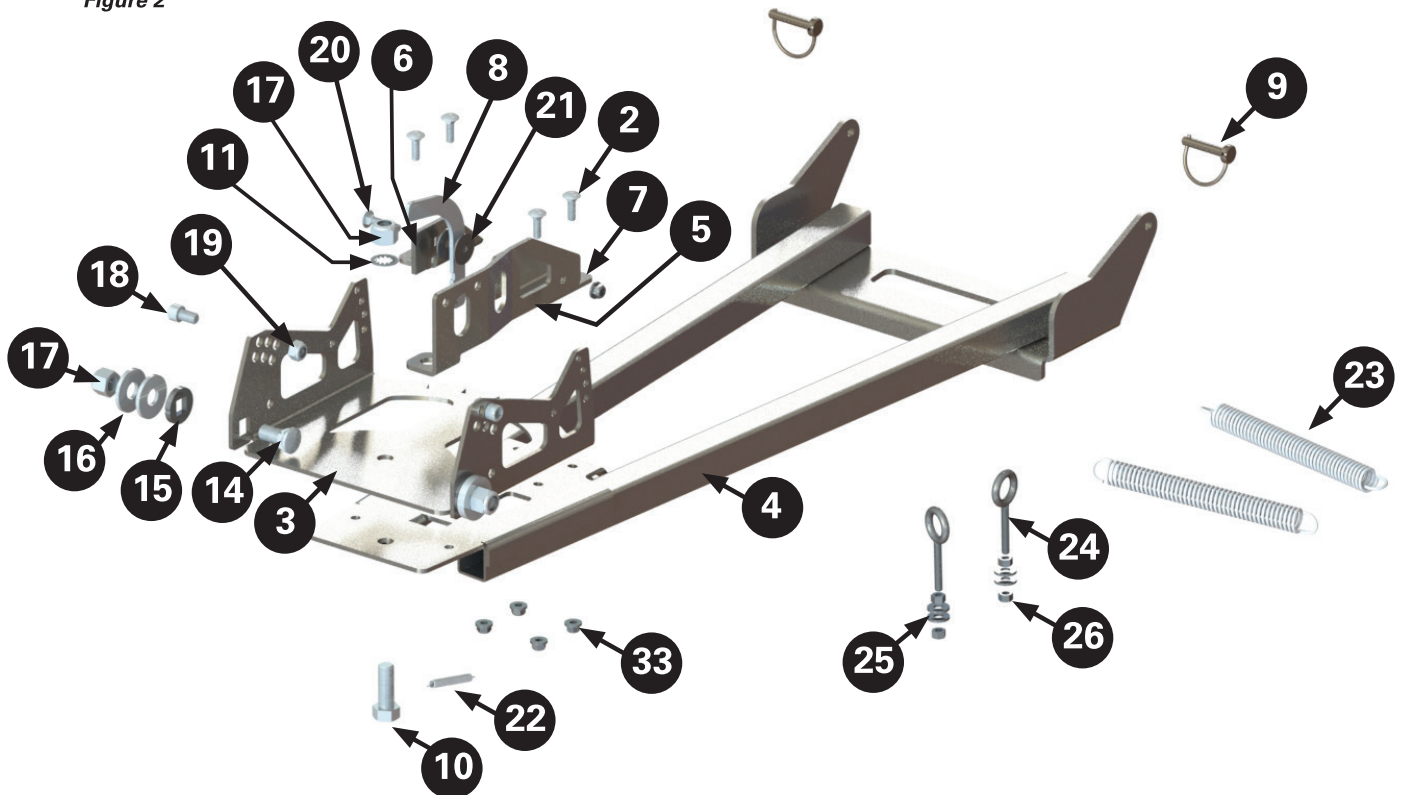
Uniplow™ Pièces De Lame:

Figure 1



Uniplow™ Pièces De Tube De Poussée:

Figure 2



Uniplow™ Les Pièces:

Item	Description	Qty.	Item	Description	Qty.
1	Uniplow lame	1	19	7/16"-14 Écrou De Blocage	2
2	Barre D'usure Réversible	1	20	5/16"-18 X 1.5" Ecrou Du Chariot	1
3	Plaque Pivotante	1	21	5/16" X 1.25" Fender Washer	2
4	Tube De Poussée	1	22	Pivot Lever Spring	1
5	Plaque De Tube	1	23	Printemps Charrue	2
6	Plaque De Poignée Pivotante (Rh)	1	24	Anneau À Cisser	2
7	Plaque De Poignée Pivotante (Lh)	1	25	5/16" Rondelle Plate	4
8	Poignée Pivotante	1	26	5/16"-18 Écrou Hexagonal	4
9	Épingle De Sûreté	2	27	Et Rou	2
10	5/8"-11 X 1.75" Boulon À Tête Hexagonale	1	28	5/16"-18 X 1.25" Ecrou Du Chariot	2
11	5/8" Étoile Laveuse	1	29	5/16"-18 Écrou De Blocage	13
12	5/16"-18 X 1" Ecrou Du Chariot	4	30	Support De Lame	1
13	5/16"-18 Contre-Écrou À Bride	5	31	Blade Brace (Rh)	1
14	5/8"-11 X 1.5" Ecrou Du Chariot	2	32	Blade Brace (Lh)	1
15	Pitch Bushing	2	33	5/16"-18 X 3/4" Ecrou Du Chariot	4
16	5/8" Fender Washer	4	34	5/16"-18 X 1" Ecrou Du Chariot	5
17	5/8"-11 Écrou De Blocage	3	35	5/16"-18 Boulon De Carrosserie À Col Court	1
18	7/16"-14 X 0.75" Vis D'assemblage À Tête Creuse	2			

Instructions D'installation

Lisez toutes les informations figurant à la page 1 avant de commencer à utiliser ou à installer.

Assemblage De La Lame

1. Avant de commencer l'assemblage de la lame et du tube, installez le support universel UniMount™.

Remarque: les boulons de carrosserie fournis ont deux longueurs de col différentes, courte et standard. Voir la figure 3 pour l'illustration. Le boulon de carrosserie à goulot court (35) sera utilisé à l'étape 2.

1. Créez le cadre de lame en attachant le support de lame droit (31) et le support de lame gauche (32) au support de lame (30), comme indiqué dans la figure 4. Fixez les deux supports de lame à l'aide d'un Boulon de carrosserie de 18 x 3/4" (33) et écrou de 5/16" -18 (29) à travers chacun des quatre trous de boulons alignés.
2. Fixez le cadre de la lame à la lame UniPlow (1). Alignez les deux trous de boulons situés en haut du cadre de la lame sur les trous de boulons correspondants de la lame UniPlow. Du côté avant (concave) de la lame, insérez un boulon de carrosserie à col court de 5/16 po-18 (35) dans les deux trous de boulons alignés. Serrez sans serrer les deux boulons avec un contre-écrou de 5/16" -18 (29).
3. Positionnez la barre d'usure réversible (2) devant la lame UniPlow (1). Alignez les trous de montage sur le bord inférieur de la lame UniPlow. Placez un boulon de carrosserie (34) de 5/16" à 18" à travers la barre d'usure, la lame et le cadre de la lame à cinq emplacements du trou de montage le plus au centre.
4. Insérez un boulon de carrosserie de 5/16" - 18 x 1,25" (28) dans les deux trous de boulons restants. Placez les patins (27) dans le canal du patin et sur les filets des boulons ouverts à l'arrière de la lame, l'extrémité dirigée à l'écart de la face de la lame. Utilisez les canaux de boulon du patin pour les régler à la hauteur souhaitée.
5. Fixez les sept boulons de carrosserie ouverts avec un écrou de blocage de 5/16" -18 (29).

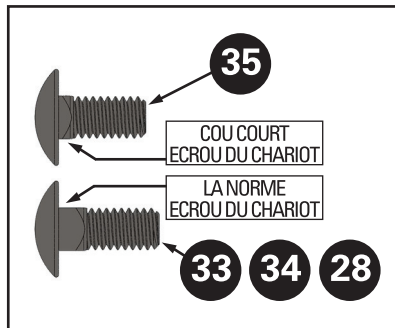


Figure 3: Diagramme Des Boulons De Carrosserie

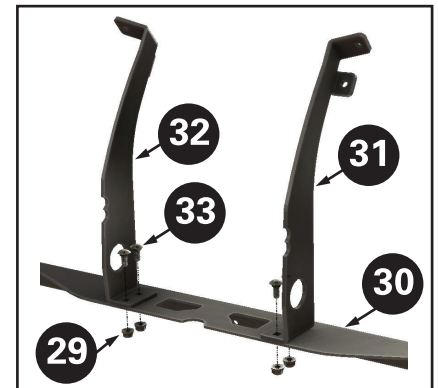


Figure 4: Assemblage Du Cadre De Lame

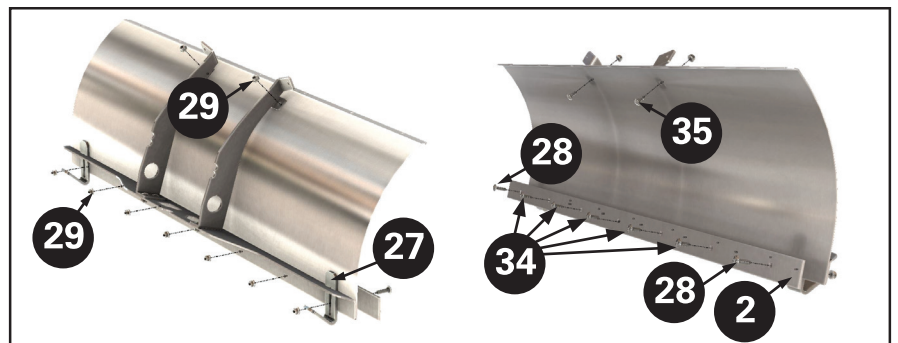
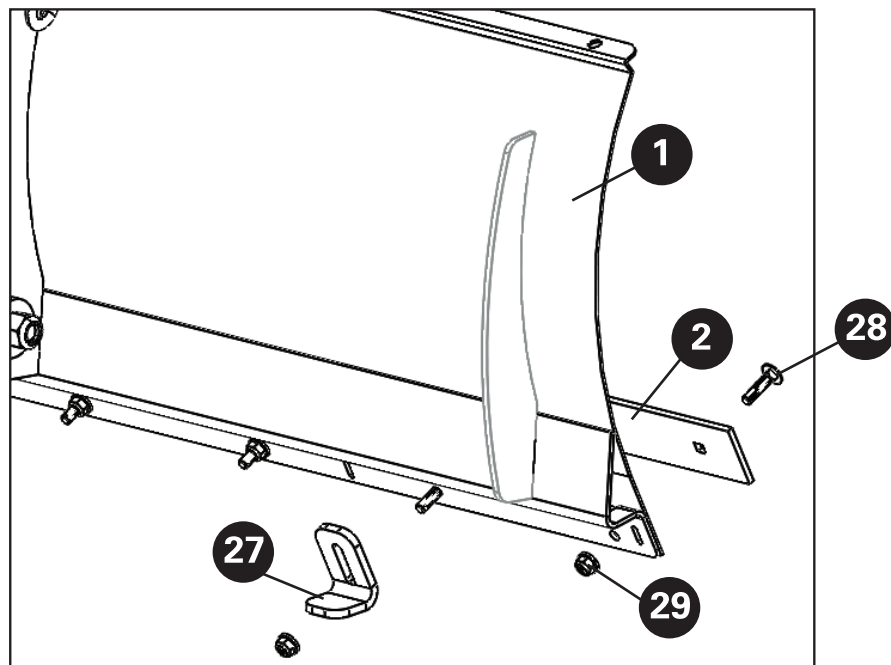


Figure 5: Installation De La Lame, Du Cadre Et Des Pieds

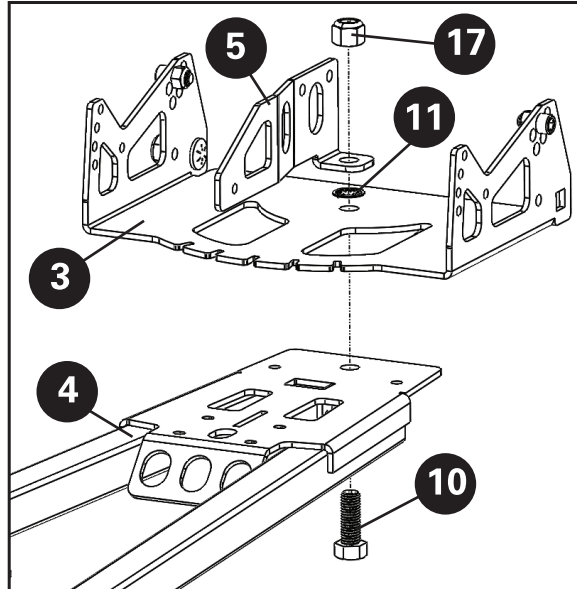
Assemblage De La Lame

1. Placez la barre d'usure réversible (2) devant la lame UniPlow (1). Alignez les trous de montage sur le bord inférieur de la lame UniPlow. Placez un boulon de carrosserie de 5/16 po - 18 x 1,25 po (28) à travers la barre d'usure et la lame à chacun des neuf trous de montage.
2. Déterminez l'emplacement souhaité pour les patins (27) le long de la base de la lame. Les patins peuvent être placés aux 1er et 9e trous de boulons de la barre d'usure ou aux 2e et 8e trous de la barre d'usure. Placez le patin sur les filets des boulons ouverts à l'arrière de la lame, l'extrémité dirigée à l'écart de la face de la lame. Utilisez les canaux de boulon du patin pour les régler à la hauteur souhaitée.
3. Serrez les neuf boulons avec un écrou de blocage de 5/16"-18 (29).

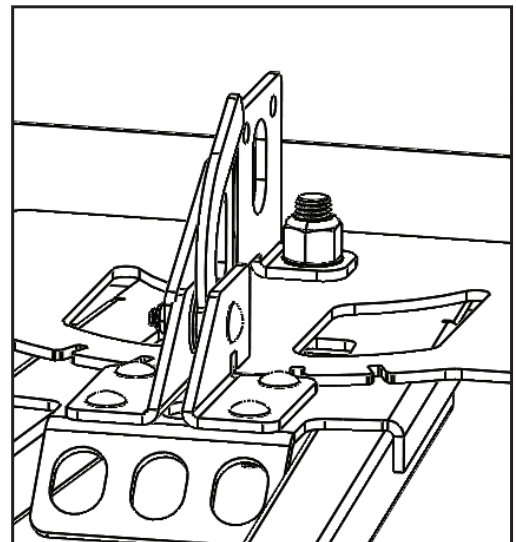
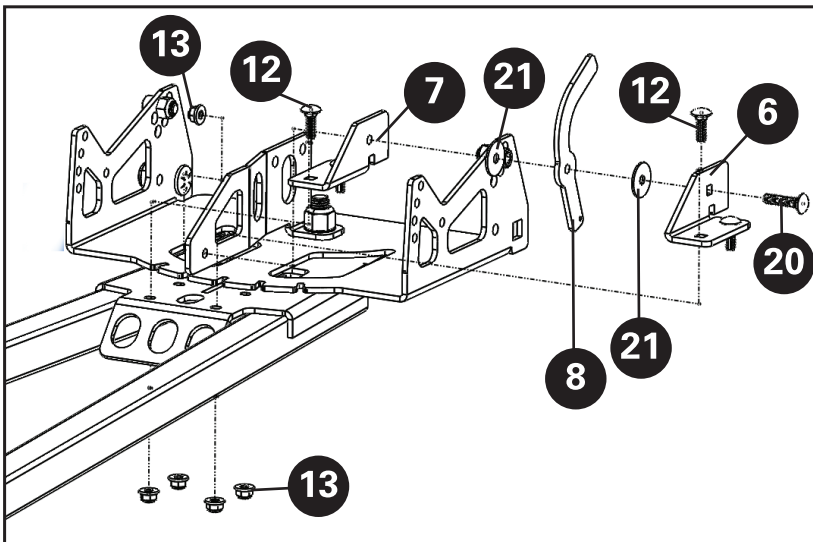


Assemblage Du Tube Poussoir

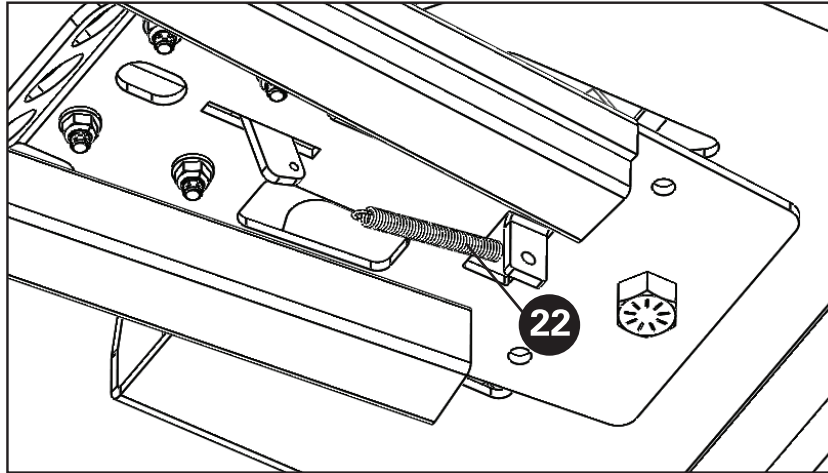
1. Localisez le tube de poussée (4) et la plaque pivotante (3). Placez la plaque pivot sur le tube de poussée et alignez le grand trou du boulon central avec le trou correspondant situé à l'extrémité étroite du tube de poussée. En partant du bas, insérez le boulon hexagonal de 5/8" - 11 x 1,75" (10) dans le trou. Placez la rondelle étoilée de 5/8" (11) sur le filetage ouvert du boulon à tête hexagonale, puis sur le bord à languette de la plaque tubulaire (5) et un écrou de blocage de 5/8" -11 (17). Serrez le contre-écrou suffisamment pour que la plaque puisse pivoter facilement sans se desserrer.



2. Placez la plaque de la poignée de pivotement gauche (7) en position le long du tube de poussée. L'extrémité à onglet doit reposer juste au-dessus de la plaque pivot. Fixez la plaque de poignée de pivot gauche avec un boulon de carrosserie de 5/16" - 18 x 1" (12) et un écrou de blocage à bride de 5/16" - 18 (13) aux deux trous de montage. Faites pivoter la plaque tubulaire de sorte qu'elle s'aligne avec le côté gauche de la plaque de poignée pivot gauche.
3. Localisez la plaque de poignée de pivotement droite (6), le boulon de carrosserie de 5/16" -18 x 1,5" (20), deux rondelles d'aile de 5/16" x 1,25" (21), et une bride de 5/16" -18 écrou de blocage (13). Placez le boulon de carrosserie dans le trou carré situé sur la face inclinée de la plaque de poignée de pivotement droite. Sur le filetage du boulon ouvert, placez une rondelle de garde-boue, une poignée de pivot (8) et une deuxième rondelle de garde-boue dans l'ordre indiqué. Ensuite, introduisez le boulon dans la languette de la plaque de poignée de pivotement gauche montée. Fixez l'ensemble avec l'écrou de blocage à bride.
4. Alignez les trous de boulon de la plaque de poignée de pivot droite avec les trous de montage du tube de poussée et fixez-le avec un boulon de carrosserie de 5/16" - 18 x 1" (12) et un écrou de blocage à bride de 5/16" (18) (13) aux deux trous de fixation.
5. Serrez le contre-écrou à épaulement de l'étape 3 de sorte que la poignée de pivot bouge librement mais ne vacille pas.

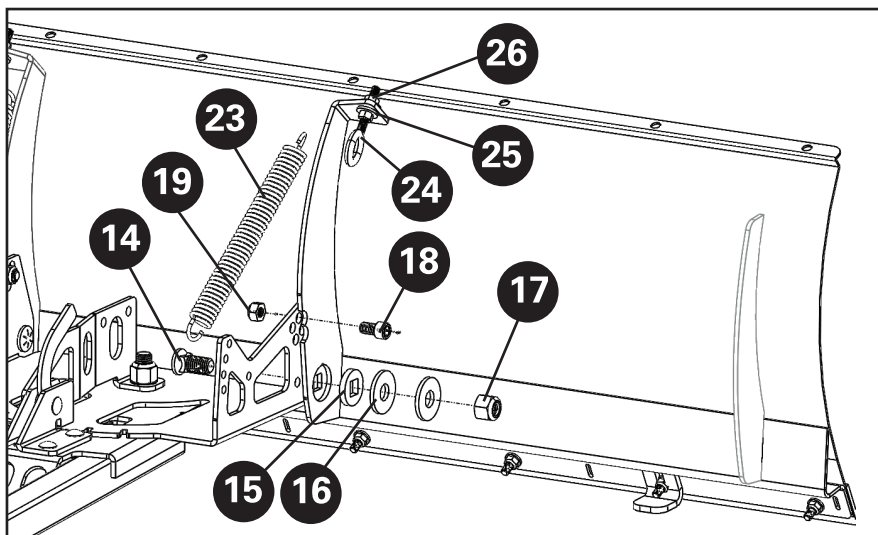


6. Au bas du tube de poussée, repérez la languette de montage du ressort. Fixez le ressort du levier de pivot (22) de cette languette au trou situé au bas de la poignée de pivot.



Assemblée De Charrue

1. Fixez l'ensemble du tube de poussée à la lame UniPlow. Alignez les grands trous de boulon situés sur le côté de la plaque pivot avec les trous de boulon situés au bas des deux entretoises de lame centrales. Depuis l'intérieur de l'assemblage, placez un boulon de carrosserie de 5/8 " à 11 x 1,5" (14) dans chaque trou. Placez la bague de pas (15) sur l'extrémité ouverte de chaque boulon et dans la rainure de la bague, puis deux rondelles pour garde-boue de 5/8 "(16), puis un écrou de blocage de 5/8" -11 (17). Serrez chaque écrou de blocage suffisamment pour que la lame puisse pivoter facilement sur le tube de poussée sans être desserrée.
2. Localisez les deux boulons à œil (24). Vissez un écrou hexagonal de 5/16 " -18 (26) sur l'extrémité de chaque boulon à œil, en le vissant aussi près que possible de l'œil. Ensuite, placez les extrémités des ressorts de la charrue (23) à travers le trou de ressort supérieur de chaque côté de la plaque pivot. Placez l'extrémité libre du ressort dans l'œil d'un œillet, puis placez une rondelle plate de 5/16 "(25) sur le filetage ouvert de l'œillet. Insérez le filetage du boulon à œil dans les trous de boulons situés en haut du support de lame. Fixez sans serrer le boulon à œil avec une autre rondelle plate de 5/16 "(25) et un écrou hexagonal de 5/16" -18 (26).
3. Ensuite, recherchez l'angle d'inclinaison souhaité pour la lame de charrue. Positionnez l'ensemble complet de sorte que la face de la lame repose à plat sur le sol. Utilisez un pied sur le dessus de la lame pour la maintenir en place et articulez le tube de poussée à la position souhaitée. Une fois la position obtenue, insérez une vis à tête cylindrique chauffante 7/16 " -14 x 0,75" (18) dans le trou pour angle d'inclinaison offrant l'angle souhaité de chaque côté du support de lame et fixez-la avec un 7/16 " -14 écrou de blocage (19).
4. Revenez aux boulons à œil. Commencez à serrer l'écrou hexagonal 5/16 " -18 (26) en face de l'œil du boulon à œil jusqu'à ce que la tension du ressort souhaitée soit atteinte. Resserrer l'écrou d'entrée sur l'attelle lorsque vous avez terminé.
 - La tension du ressort régule la facilité avec laquelle la lame se replie vers l'avant lorsque la base de la lame entre en contact avec un obstacle (tel qu'un trottoir), évitant ainsi d'endommager la lame et permettant éventuellement à la lame de se lever par dessus l'obstruction. Une tension de ressort plus souple permettra à la lame de se replier plus facilement, tandis qu'une tension de ressort plus étroite crée une expérience de labour plus rigide.
5. Placez les deux goupilles de sécurité (9) dans les trous de fixation rapide situés à l'extrémité du tube de poussée opposée à la lame. UniPlow est maintenant prêt à être connecté à un support UniPlow.



Conseils De Labour

Entretien du VTT - Le labour impose une charge supplémentaire à votre VTT. Un bon entretien, y compris des liquides propres, est essentiel.

Soyez conscient: Prenez note des conditions météorologiques et du terrain avant de commencer à labourer, et restez conscient de votre environnement à tout moment. N'utilisez jamais la charrue si vous ne pouvez pas utiliser votre VTT en toute sécurité dans les conditions météorologiques ou sur le terrain.

Angle de la lame - Pour les petites zones, la lame peut être droite ou légèrement inclinée. Pour les grandes surfaces, réglez la lame de la charrue sur un angle faible ou complet.

Température de la lame - Si la charrue est entreposée dans un endroit chaud, laissez-la refroidir avant de commencer à labourer. Une lame chaude accumulera de la neige gelée pendant son utilisation.

Dégagement de la zone de conduite - Pendant les premières chutes de neige de la saison, dégagez une largeur supplémentaire sur les zones de conduite afin de permettre à la neige de s'accumuler tout au long de la saison sans réduire la zone de conduite. Soulevez la lame de la charrue pour recouvrir l'herbe ou tout autre terrain accidenté / délicat.

Fortes chutes de neige - Pendant les fortes chutes de neige, "labourez avec la tempête" et prévoyez de nettoyer votre zone de labour plusieurs fois. Il est plus efficace de nettoyer quelques centimètres d'accumulation à la fois. Si vous ne parvenez pas à éliminer toute l'accumulation, ajustez la hauteur de votre lame de manière à écarter de quelques centimètres du sommet lors de votre premier passage. Effectuer plusieurs passes pour dégager une zone suite à une accumulation plus importante vous permet de dégager complètement la zone avec moins de risque de dommages ou de blessures. Ne jamais labourer avec la lame complètement relevée.

Labourez complètement la première fois: ne laissez pas les pistes ou les zones partiellement défrichées inutilisées pendant la nuit ou pendant de longues périodes. Les pistes et les crêtes gelées auront une incidence sur votre capacité à labourer efficacement et en toute sécurité.

Zone de labour: Marquez votre zone de labour avant les chutes de neige avec des drapeaux ou autres marqueurs qui seront facilement visibles après les chutes de neige. Marquez tous les dangers potentiels qui peuvent être cachés après les chutes de neige. En marquant la zone de votre charrue, vous éviterez des dommages matériels ou des blessures causées par le terrain, des obstacles non vus ou d'autres dangers.

Labour en pente - Abattez le plus possible en descente afin d'éviter de surcharger le VTT lors de passages en montée. Prévoyez des passages dégagés avec une largeur de lame complète et des passages en montée avec une largeur de lame égale à 1/2 pour assurer une puissance suffisante. Les deux chaînes de pneu ou le poids supplémentaire peuvent vous aider à maintenir une charrue en montée forte.

Relever la charrue - Sachez quand votre charrue est entièrement levée et n'essayez pas de la soulever davantage pour éviter de tirer davantage sur le câble du treuil. Le câble du treuil est soumis à une contrainte excessive lorsque les tubes de la charrue / de poussée entrent en collision avec le VTT.

Conditions de neige - La neige collante et fondante labourera différemment de la poudre pelucheuse. Cela affectera la façon dont votre VTT gère et la quantité de neige que vous pouvez déplacer avec chaque passage. La marque et le modèle de votre VTT affecteront également votre puissance de labour. La plupart des VTT utilisant UniPlow™ devraient être en mesure de nettoyer 7" de poudre et 4" de neige dense ou en neige fondante. En cas de doute, commencez votre chemin lentement et modifiez la hauteur ou l'angle de votre lame si nécessaire.

Chaînes pour pneus - Extreme Max™ propose des chaînes pour pneus V-Bar spécialement conçues pour offrir aux VTT la traction supplémentaire dont ils ont besoin dans les conditions de déneigement hivernales. Les chaînes de pneu peuvent vous aider à garder le contrôle sur les surfaces verglacées et à ajouter une traction supplémentaire pour une puissance de labour accrue dans une neige dense.

Traction: En conditions verglacées, nous recommandons les chaînes à pneus pour une traction accrue et un contrôle adéquat du VTT. Ajouter du poids à l'arrière du VTT peut également augmenter la stabilité et la puissance de la charrue.

Transmission - Toujours labourer dans l'engrenage de transmission le plus bas ou l'engrenage de transmission le plus bas 4WD.

Treuil - Comme la plupart des charrues, UniPlow™ nécessite un treuil pour relever et abaisser la lame de la charrue. Extreme Max™ recommande le Bear Claw™ 2800, mais tous les treuils de VTT traditionnels fonctionneront.

Ligne de treuil - Ne pas utiliser de ligne synthétique. Un câble en acier est recommandé pour sa durabilité lors de tractions répétitives de courte longueur. Inspectez régulièrement les câbles en acier pour détecter les plis, les fraises, les bris ou autres signes de dommages, et remplacez les câbles usés ou endommagés avant de les labourer. Ne pas entretenir le câble peut entraîner une défaillance du câble et endommager la charrue.



1-YEAR LIMITED WARRANTY

Extreme Max™ garantit à l'acheteur d'origine que le produit est exempt de défauts de matériaux et de fabrication pendant une période d'un (1) an à compter de la date d'achat d'origine. Nous réparerons ou remplacerons, à notre discrétion, les pièces jugées défectueuses en raison de matériaux ou de fabrication. Cette garantie est soumise aux limitations et exclusions suivantes:

Utilisation commerciale: Cette garantie ne s'applique pas à une utilisation commerciale. L'utilisation de la charrue dans des applications commerciales ou de location annule la garantie.

Limitations: Cette garantie s'applique uniquement aux produits qui ont été correctement assemblés, ajustés et utilisés conformément aux instructions contenues dans ce manuel. Cette garantie ne s'applique à aucun produit d'Extreme Max™ ayant subi une modification, une mauvaise utilisation, un usage abusif, un montage ou une installation incorrects, ou des dommages dus au transport.

Exclusions: Sont exclus de cette garantie l'usure normale, les réglages normaux et l'entretien normal.

CETTE GARANTIE NE S'APPLIQUE PAS AUX DOMMAGES ACCESSOIRES OU INDIRECTS. TOUTES LES GARANTIES IMPLICITES SONT LIMITÉES AUX MÊMES DÉLAIS INDIQUÉS DANS LES PRÉSENTES POUR TOUTES LES GARANTIES EXPRESSES.

LA GARANTIE EXPOSÉE CI-DESSUS EST LA SEULE GARANTIE. IL N'Y A AUCUNE AUTRE GARANTIE, EXPLICITE OU IMPLICITE, Y COMPRIS, MAIS SANS S'Y LIMITER, LES GARANTIES IMPLICITES DE QUALITÉ MARCHANDE OU D'ADÉQUATION À UN USAGE PARTICULIER.

Certains états n'autorisent pas l'exclusion de garanties implicites ou l'exclusion ou la limitation de responsabilité pour des dommages fortuits ou consécutifs, ou la durée maximale d'une garantie implicite. Il est donc possible que la limitation ou l'exclusion ci-dessus ne vous concerne pas. Cette garantie vous confère des droits légaux spécifiques. Vous pouvez également avoir d'autres droits qui varient d'un État à l'autre.

Si vous avez une réclamation en vertu de cette garantie, contactez le service clientèle Extreme Max™ et notre conseiller en service traitera tout problème par téléphone ou par courrier électronique. Les conseillers de service sont disponibles M-F de 8h à 17h CST. Appelez le (651)358-1862 ou envoyez un e-mail. Si le problème n'est pas résolu par cette méthode, Extreme Max™ autorisera, à sa discrétion, l'évaluation, la réparation ou le remplacement de la pièce ou du composant défectueux dans notre centre de service. Extreme Max™ vous fournira un numéro de dossier pour le service de garantie. Veuillez le conserver pour référence future. Les réparations ou remplacements sans autorisation préalable ou dans un centre de réparation non autorisé ne seront pas couverts par cette garantie.

Tous les frais de transport, dommages ou pertes encourus lors du transport des pièces soumises au remplacement ou à la réparation dans le cadre de cette garantie seront à la charge de l'acheteur. Si vous avez des questions concernant cette garantie, veuillez nous contacter au (651) 358-1862.

Une preuve d'achat est nécessaire pour toute demande de garantie. Pour accélérer le traitement des réclamations sous garantie, veuillez enregistrer votre produit auprès d'Extreme Max™ en lui envoyant une copie de votre facture avec la fiche d'enregistrement du produit dûment remplie.

5500.5088

Includes:

- Mounting Plate – 1
- Large U-Bolt – 2
- Small U-Bolt – 2
- Lock Nut – 4
- Washer – 4

Read, Follow, and Save These Instructions.

Read this manual thoroughly before operating your plow. Failure to follow instructions could result in death, serious injury or property damage. If you have questions regarding safe installation and/or use of your plow, contact customer service at (651) 358-1862 on regular business days Monday-Friday from 8am-5pm CST, or e-mail service@extrememax.com.

 **Warnings:**

- 1) Use care when lifting components into place.
- 2) Make sure that all nuts and bolts are tightened per installation instructions.
- 3) Never operate this product with missing or damaged parts.
- 4) Drive slowly over bumpy and rough terrain, driving fast could cause damage to winch or plow.
- 5) Always perform regular inspections and maintenance on plow tubes and hardware before use.
- 6) Operate with extreme caution on slopes, steep grades, and rough terrain.
- 7) Be aware of any possible hidden objects under the snow.

Warranty

This product is warranted for consumer use for 1 year after the date of retail purchase. Warranty includes parts only. Warranty valid only in the USA.

This product is warranted to the original retail purchaser to be free from defects in material and workmanship, ordinary wear and tear expected. This warranty shall not apply to any defects caused by: (I) overloading, (II) physical abuse of goods or any acts of vandalism by any person, (III) improper installation or use contrary to the instructions, (IV) commercial use. The sole remedy under this warranty is at the discretion of manufacturer: the replacement of the same or similar product, or the refund of the original purchase price. Extreme Max™ is not responsible for any consequential or incidental damages. Any and all freight charges to handle warranty claims are the responsibility of the consumer. Extreme Max™ is not responsible for any labor charges that may be incurred.

To submit a warranty claim please send your name, mailing address, original retail sales receipt, and summary of alleged defect to service@extrememax.com.

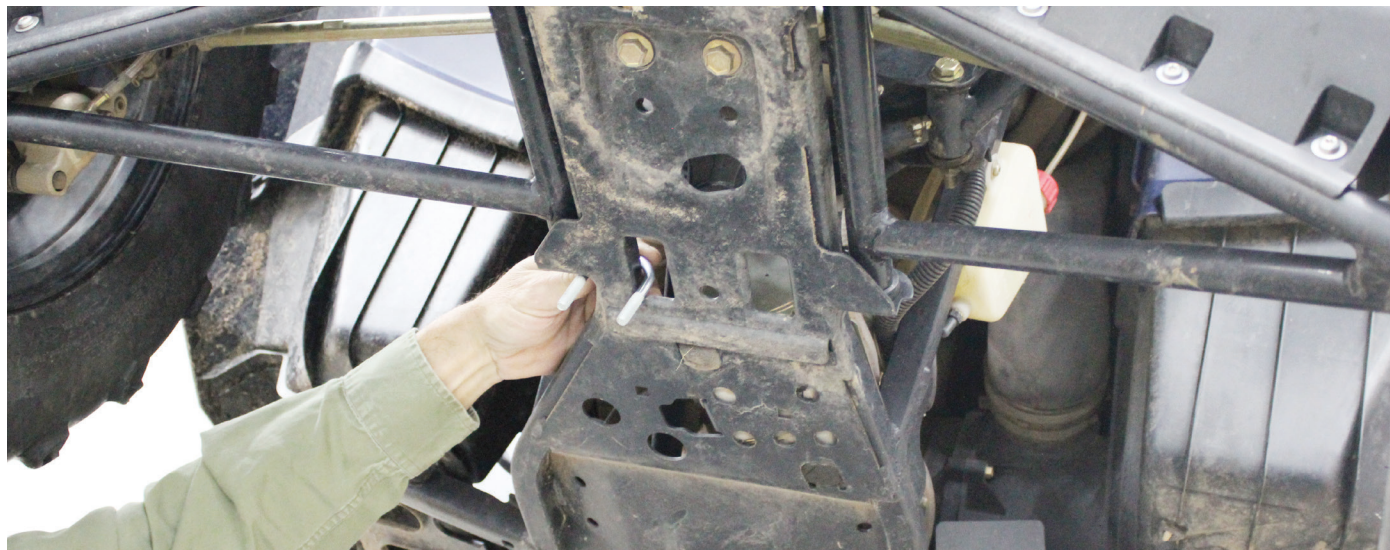
Installation Instructions

Read all information included on page 1 before beginning operation or installation.

Installation of the Polaris 570 Sportsman UniPlow Mount requires access to the underside of the ATV. Use safe practices, such as lifting blocks and safety straps, to ensure the ATV will not shift, fall, roll, or move during installation of the mounting plate. Turn the engine off and engage the parking brake before attempting installation.

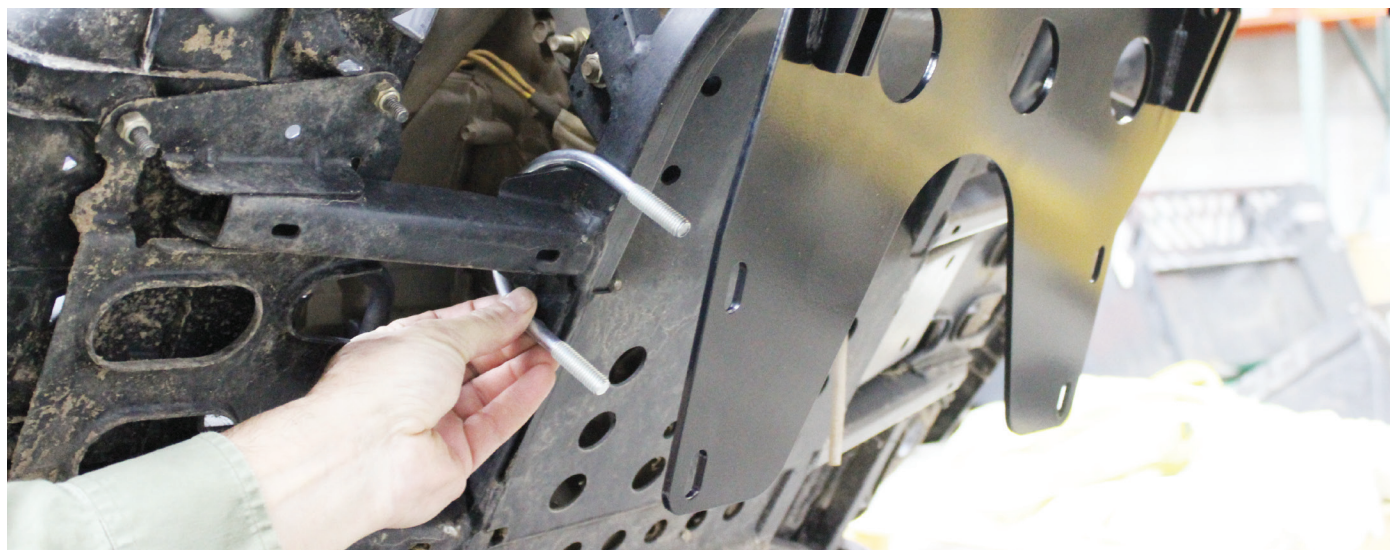
1. Locate the position for the U-bolts along the frame of the ATV. Place the two small U-bolts around either side of the ATV frame just behind the front A-arms as shown in Figure 1.

Figure 1



2. Align the front of the mounting plate onto the U-bolts and loosely secure with a washer and lock nut on each end of the U-bolts.
3. Position the two large U-bolts around the frame at the front running board weldments as shown in Figure 2. Note: Be aware that certain models may have an extra fairing on the left side of the ATV at this location which may make it difficult to place the U-bolt. However, it is not necessary to remove the fairing as the U-bolt should still fit into this location correctly once properly maneuvered.

Figure 2

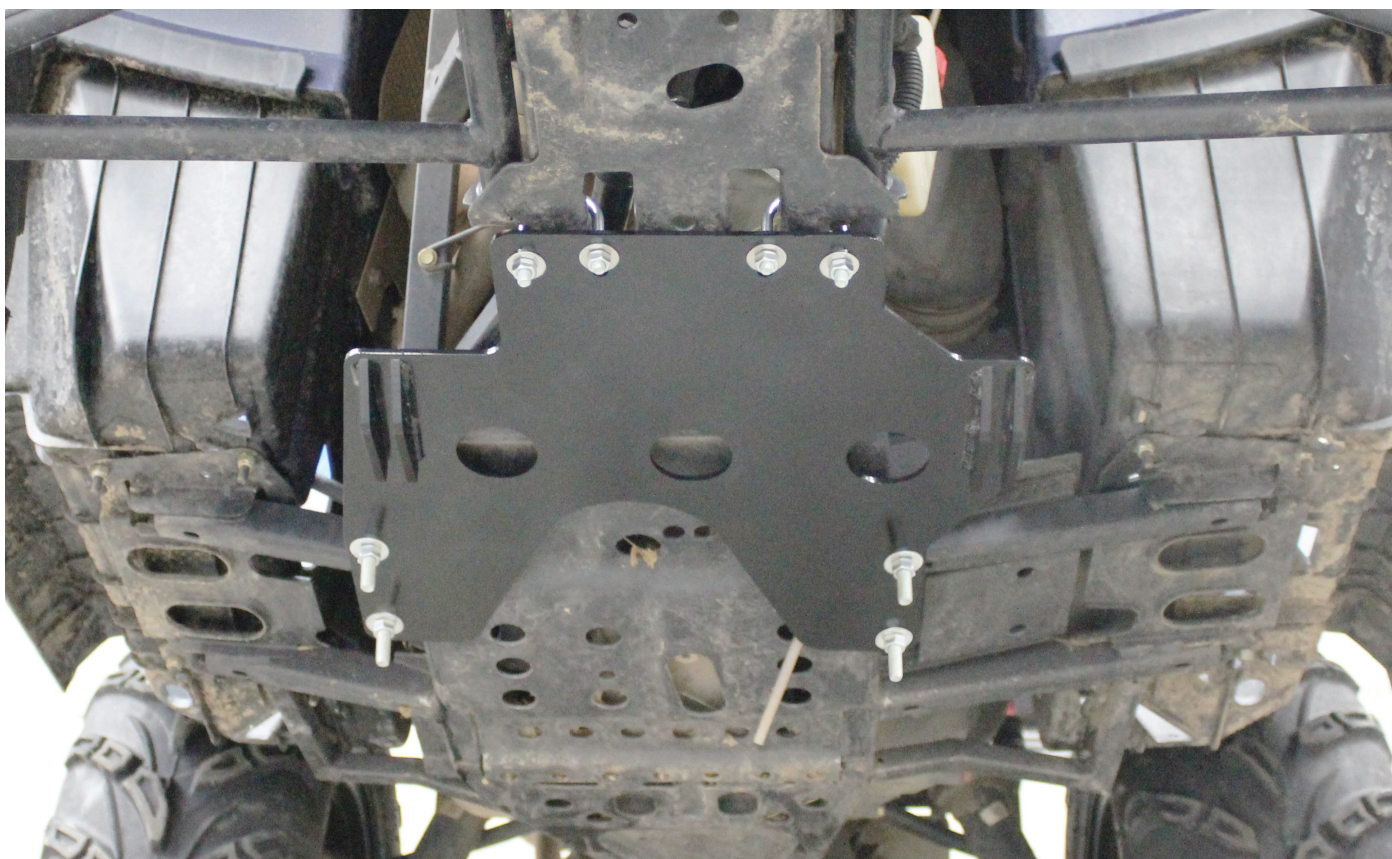


4. Position the mounting plate onto the U-bolts and loosely secure it with a washer and lock nut on each end of the U-bolts.

Note: If your ATV is equipped with a battery ventilation hose, it may need to be relocated to avoid being pinched by the mounting plate.

5. Tighten each lock nut until snug.

Optional: Cut the ends of the U-bolts flush to the top of the tightened lock nut to help avoid potential damages involving ground clearance.



5500.5088

Comprend:

- Plaque de montage - 1
- Grand cadenas en U - 2
- Petite U-Bolt - 2
- Contre-écrou - 4
- Laveuse - 4

Lisez, suivez et sauvegardez ces instructions.

Lisez attentivement ce manuel avant d'utiliser votre charrue. Le non respect de ces instructions peut entraîner la mort, des blessures graves ou des dommages matériels. Si vous avez des questions concernant l'installation et / ou l'utilisation en toute sécurité de votre charrue, contactez le service clientèle au (651) 358-1862 les jours ouvrables habituels, du lundi au vendredi de 8 h à 17 h, heure normale de l'Est, ou par courrier électronique à service@extrememax.com

 **Avertissements:**

- 1) Faites attention lorsque vous soulevez des composants.
- 2) Assurez-vous que tous les écrous et boulons sont serrés conformément aux instructions d'installation.
- 3) Ne jamais utiliser ce produit avec des pièces manquantes ou endommagées.
- 4) Conduisez lentement sur un terrain cahoteux et accidenté. Une conduite rapide pourrait endommager le treuil ou la charrue.
- 5) Effectuez toujours des inspections et un entretien réguliers des tubes et du matériel de charrue avant utilisation.
- 6) Conduisez avec une extrême prudence sur les pentes, les pentes raides et les terrains accidentés.
- 7) Soyez conscient de tout objet caché possible sous la neige.

Garantie

Ce produit est garanti pour une utilisation par le consommateur pendant un an à compter de la date d'achat au détail. La garantie inclut les pièces seulement.

Garantie valable uniquement aux États-Unis.

Ce produit est garanti au premier acheteur au détail comme étant exempt de défauts de matériaux et de fabrication, ainsi que d'usure et de déchirure normales. Cette garantie ne s'applique pas aux défauts causés par: (I) la surcharge, (II) la maltraitance physique des biens ou tout acte de vandalisme commis par une personne, (III) une installation ou utilisation inappropriée contrairement aux instructions, (IV) une utilisation commerciale. Le seul recours en vertu de cette garantie est à la discrétion du fabricant: le remplacement du même produit ou d'un produit similaire, ou le remboursement du prix d'achat d'origine. Extreme Max™ n'est pas responsable des dommages indirects ou accessoires. Tous les frais de transport pour traiter les demandes de garantie sont à la charge du consommateur. Extreme Max™ n'est pas responsable des frais de main d'œuvre qui pourraient être engagés.

Pour soumettre une réclamation au titre de la garantie, veuillez envoyer votre nom, votre adresse postale, votre reçu de vente au détail d'origine et votre récapitulatif du défaut allégué à service@extrememax.com.

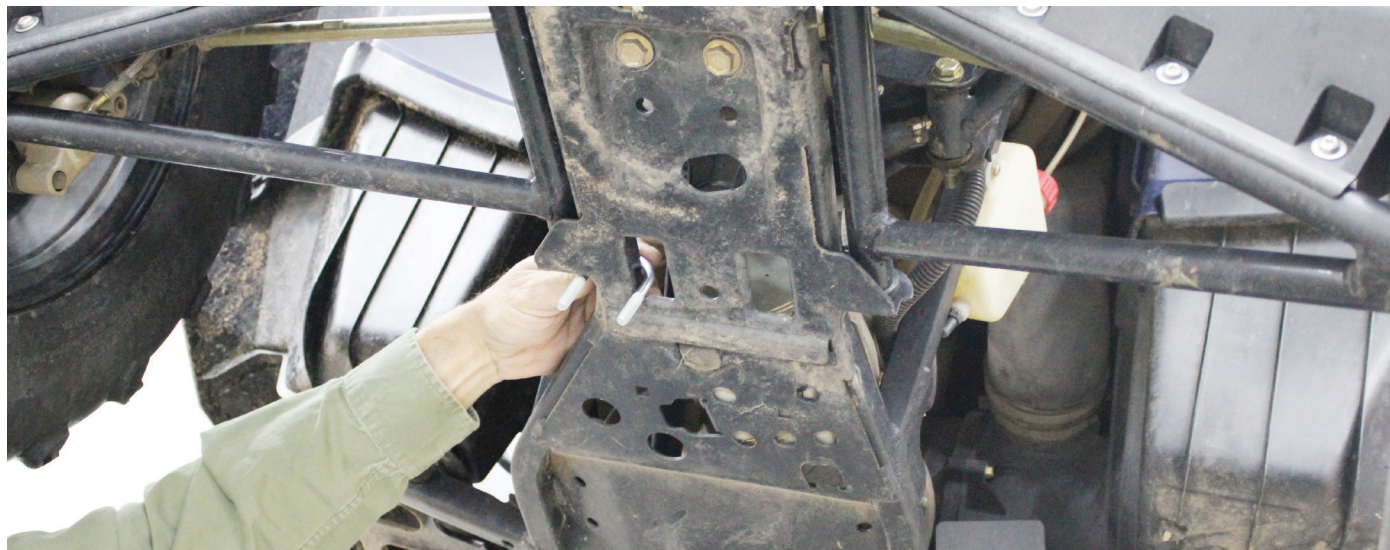
Instructions D'installation

Read all information included on page 1 before beginning operation or installation.

L'installation du Polaris 570 Sportsman UniPlow Mount nécessite un accès au dessous du VTT. Utilisez des pratiques sûres, telles que des cales de levage et des sangles de sécurité, pour vous assurer que le VTT ne se déplacera pas, ne tombera pas, ne roule pas et ne se déplace pas pendant l'installation de la plaque de montage. Arrêtez le moteur et serrez le frein de stationnement avant de commencer l'installation.

1. Localisez la position des boulons en U le long du châssis du VTT. Placez les deux petits étriers en U autour de chaque côté du châssis du VTT, juste derrière les bras triangulaires avant, comme illustré à la figure 1.

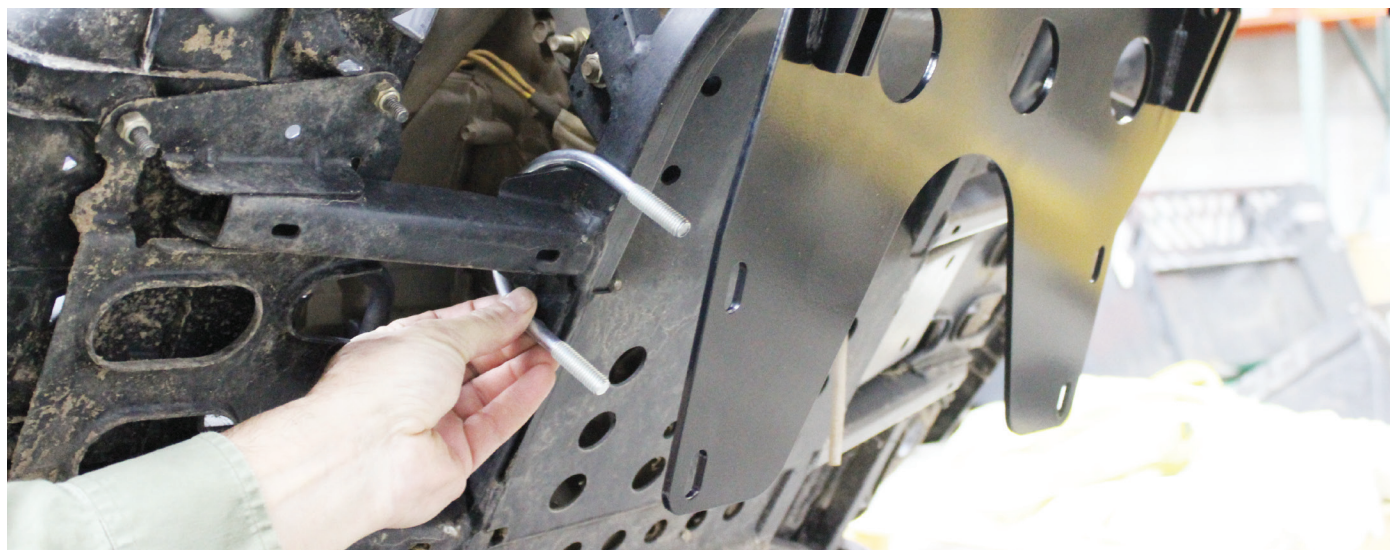
Figure 1



2. Alignez l'avant de la plaque de montage sur les étriers et fixez-le avec une rondelle et un contre-écrou à chaque extrémité des étriers.
3. Positionnez les deux gros étriers en U autour du cadre sur les éléments soudés du marchepied avant, comme illustré à la figure 2.

Remarque: sachez que certains modèles peuvent avoir un carénage supplémentaire sur le côté gauche du VTT à cet endroit, ce qui peut rendre difficile le positionnement du boulon en U. Cependant, il n'est pas nécessaire de retirer le carénage, car le boulon en U doit tout de même s'adapter correctement à cet emplacement une fois correctement manœuvré.

Figure 2



4. Placez la plaque de montage sur les étriers en U et fixez-la sans serrer avec une rondelle et un écrou de blocage à chaque extrémité des étriers.

Remarque: Si votre VTT est équipé d'un tuyau de ventilation pour batterie, il peut être nécessaire de le déplacer pour éviter d'être pincé par la plaque de montage.

5. Serrez chaque écrou jusqu'à ce qu'il soit bien ajusté.

Facultatif: Coupez les extrémités des boulons en U au ras de l'écrou de blocage resserré pour éviter tout dommage susceptible de nuire à la garde au sol.

