

Shingle-Saver 21' Roof Snow Rake with 24" Blade

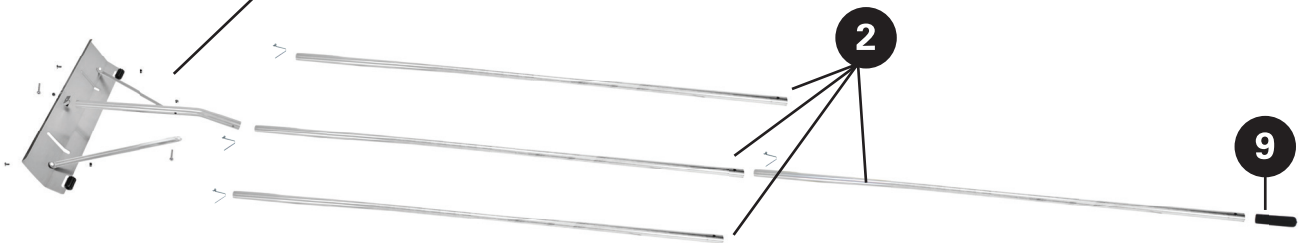
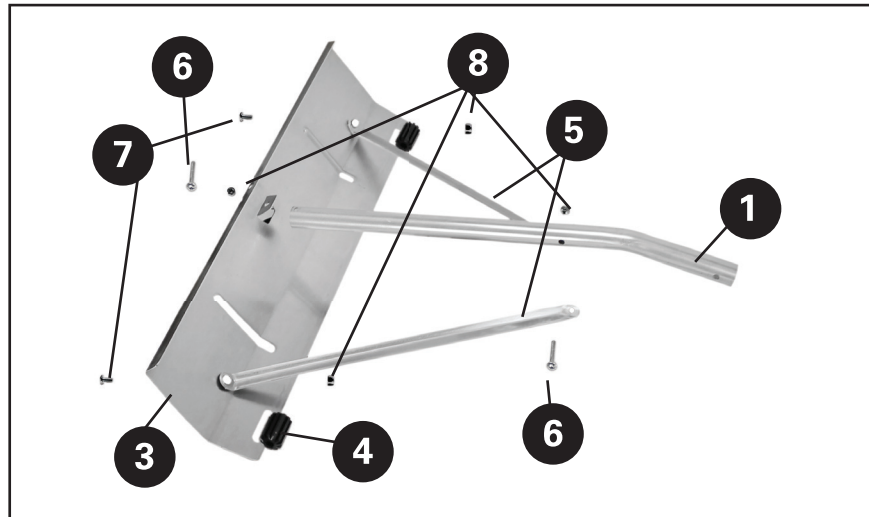
5600.3207

Caution

- Serious injury or death may occur in the event of falling snow. Never stand directly under the roof edge while using the roof rake.
- Ensure the area is clear from debris and obstruction before attempting snow removal.
- The Shingle-Saver Snow Roof Rake is intended solely for snow removal and is not to be used to remove ice, sticks, leaves or other debris.
- Do not use near electrical wiring or transformers.

Includes:

- 1 - Angled Tube (1)
- 2 - Extension Tubes (4)
- 3 - Blade (1)
- 4 - Blade Rollers (2)
- 5 - Braces (2)
- 6 - 1-1/2" Bolts (2)
- 7 - 1/2" Bolts (2)
- 8 - Lock Nuts (4)
- 9 - Poly Grip (1)

**Product Satisfaction Guarantee**

At Extreme Max, we pride ourselves on making quality products and wish to correct any mistakes on our end. If you are not 100% satisfied with the product, for any reason, please reach out to us. We are here to help!

Warranty

This product is warranted for consumer use for 2 years after the date of retail purchase. Warranty includes parts only. Warranty valid only in the USA.

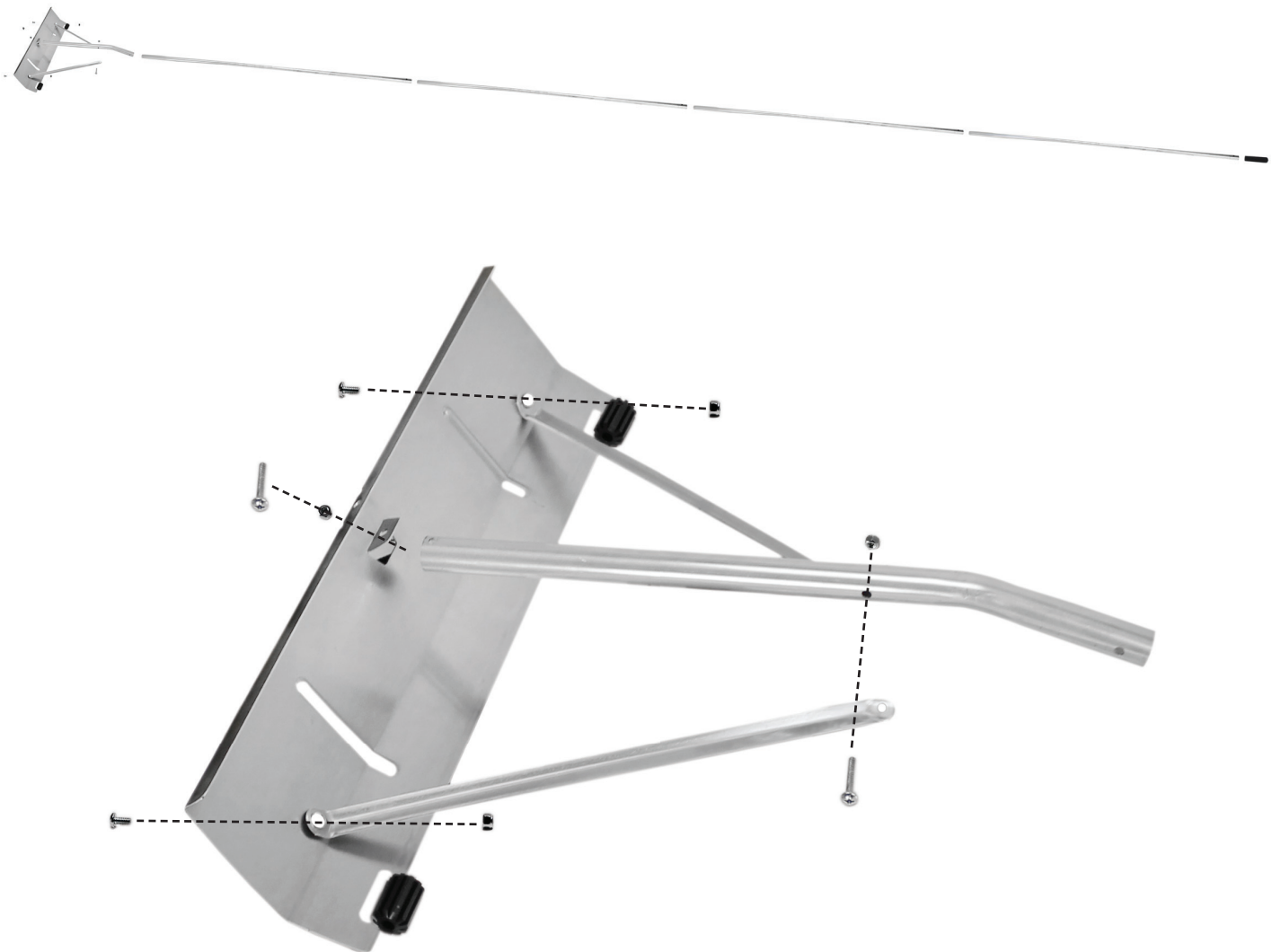
This product is warranted to the original retail purchaser to be free from defects in material and workmanship, ordinary wear and tear expected. This warranty shall not apply to any defects caused by: (I) overloading, (II) physical abuse of goods or any acts of vandalism by any person, (III) improper installation or use contrary to the instructions, (IV) commercial use. The sole remedy under this warranty is at the discretion of manufacturer: the replacement of the same or similar product, or the refund of the original purchase price. Extreme Max™ is not responsible for any consequential or incidental damages. Any and all freight charges to handle warranty claims are the responsibility of the consumer. Extreme Max™ is not responsible for any labor charges that may be incurred.

For all inquiries please send your name, mailing address, main contact phone number, original retail sales receipt, summary of alleged defect and any applicable pictures to service@extrememax.com.

Installation Instructions

Read all information included on page 1 before beginning operation or installation.

1. Place blade rollers onto the blade by finding the slotted groove and pushing them up from the bottom of the blade at the roller openings. The rollers should spin when properly installed.
Note: If rollers do not open to accept the blade, soak them in warm water for five minutes to ease installation.
2. Locate the angled tube and place it against the receiver in the center of the blade. The longer straight side should be against the blade while the angled side is away, slanting down to the same side as the rollers. Fasten together with a 1-1/2" bolt and lock nut.
3. Each brace is equipped with a flat edge and a curved edge. Attach the flat edge of each brace to the blade using 1/2" bolts and lock nuts with the remaining holes in the blade.
4. Attach the curved edge of each brace to the angled tube using 1-1/2" bolt, lock nut and the matching holes on the angled tube.
5. Insert an extension tube into the end of the angled tube by decompressing the snap buttons and matching them to the appropriate holes of the angled tube. Repeat by placing each extension tube in the end of the previous extension tube using the same process until desired length is achieved.
6. Slide poly grip on the end of the final extension tube. Your Shingle-Saver Roof Snow Rake is now assembled and ready for use.



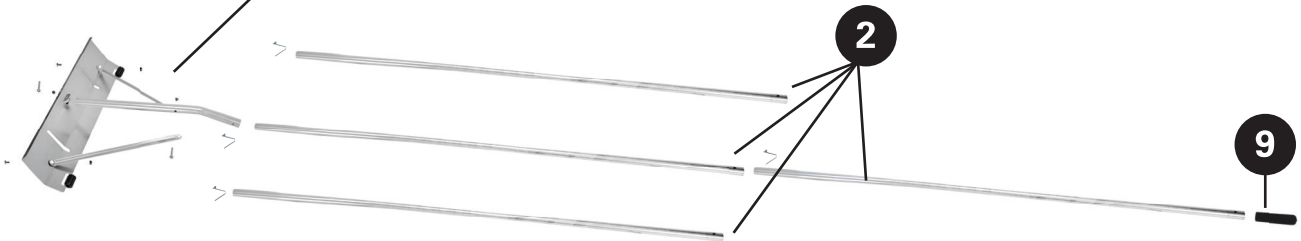
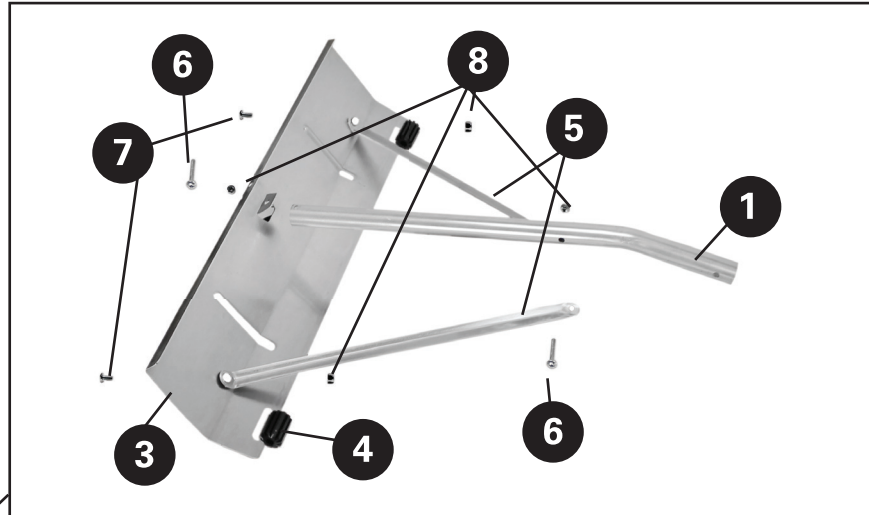
5600.3207

Avertissement

- Serious injury or death may occur in the event of falling snow. Never stand directly under the roof edge while using the roof rake.
- Ensure the area is clear from debris and obstruction before attempting snow removal.
- The Shingle-Saver Snow Roof Rake is intended solely for snow removal and is not to be used to remove ice, sticks, leaves or other debris.
- Do not use near electrical wiring or transformers.

Comprend:

- 1 - Tube coudé (1)
- 2 - Extension Tubes (4)
- 3 - Blade (1)
- 4 - Blade Rollers (2)
- 5 - Accolades (2)
- 6 - 1-1/2" Boulons (2)
- 7 - 1/2" Boulons (2)
- 8 - Ecrous (4)
- 10 - Poly Grip (1)



Product Satisfaction Guarantee

At Extreme Max, we pride ourselves on making quality products and wish to correct any mistakes on our end. If you are not 100% satisfied with the product, for any reason, please reach out to us. We are here to help!

Warranty

This product is warranted for consumer use for 2 years after the date of retail purchase. Warranty includes parts only. Warranty valid only in the USA.

This product is warranted to the original retail purchaser to be free from defects in material and workmanship, ordinary wear and tear expected. This warranty shall not apply to any defects caused by: (I) overloading, (II) physical abuse of goods or any acts of vandalism by any person, (III) improper installation or use contrary to the instructions, (IV) commercial use. The sole remedy under this warranty is at the discretion of manufacturer: the replacement of the same or similar product, or the refund of the original purchase price. Extreme Max™ is not responsible for any consequential or incidental damages. Any and all freight charges to handle warranty claims are the responsibility of the consumer. Extreme Max™ is not responsible for any labor charges that may be incurred.

For all inquiries please send your name, mailing address, main contact phone number, original retail sales receipt, summary of alleged defect and any applicable pictures to service@extrememax.com.

L'installation

Lire tous les renseignements figurant à la page 1 avant l'opération ou de l'installation à partir.

1. Placer les rouleaux de lame sur la lame en trouvant la rainure fendue et en les poussant à partir du bas de la lame au niveau des ouvertures du rouleau. Les rouleaux doivent tourner lorsqu'ils sont correctement installés. Remarque: Si les rouleaux ne pas ouvrir d'accepter la lame, les faire tremper dans l'eau chaude pendant cinq minutes afin de faciliter l'installation.
2. Localisez le tube coudé et le placer contre le récepteur dans le centre de la lame. Le côté plus droite devrait être contre la lame tandis que le côté oblique est absent, inclinée vers le même côté que les rouleaux. Fixer avec 1-1/2" à la fois et l'écrou.
3. Chaque orthèse est équipée d'un bord plat et un bord incurvé. Fixer le bord plat de chaque accolade à la lame en utilisant 1/2 "boulons et écrous avec les trous restants dans la lame.
4. Fixer le bord incurvé de chaque accolade au tube coudé en utilisant 1-1/2" boulon, écrou et les trous correspondants sur le tube coudé.
5. Insérez un tube d'extension dans l'extrémité du tube coudé en décompressant les boutons pression et les jumeler avec les trous appropriés du tube coudé. Répéter en plaçant chaque tube d'extension à l'extrémité du tube d'extension précédent en utilisant la même procédure jusqu'à ce que la longueur désirée soit atteinte.
6. Faites glisser poignée poly sur l'extrémité du tube final d'extension. Votre Bardeau-Saver Rake de neige sur le toit est maintenant assemblé et prêt à l'emploi.

