

⚠ Warning:**Part # 5600.3133
Style # 016001**

Risk of personal injury or property damage. An improperly mounted winch may result in a sudden release of the winch mount and/or winch from the ATV frame. Follow all instructions and install and maintain hardware at recommended torque. Follow all winch manufacturer's instructions for proper mounting and use of your winch.

Includes:

- (1) Winch Mount (A)
- (2) M10-1.5 x 20mm Flanged GR5 Bolts (B)
- (1) M10-1.5 x 19mm Short Neck Carriage Bolt (C)
- (2) M10 x 1.25" x 20mm Hex GR8.8 Bolts (D)
- (2) M10 Lock Washers (E)
- (2) M10-1.5 Nylock Jam Nuts (F)
- (6) M10 Flat Washers (G)

Prior to Installation:

1. Turn off vehicle.
2. Locate the battery compartment.
3. Remove the ground terminal, then the positive terminal to disconnect the battery cables.

Note: Winches with a clutch end similar to the Warn 3.0 will need to use the supplied carriage bolt (C) in place of the standard 3/8" bolt (B) for sufficient clearance on the clutch side of the mount. Position the carriage bolt before attaching winch to mount. See Figure 1.

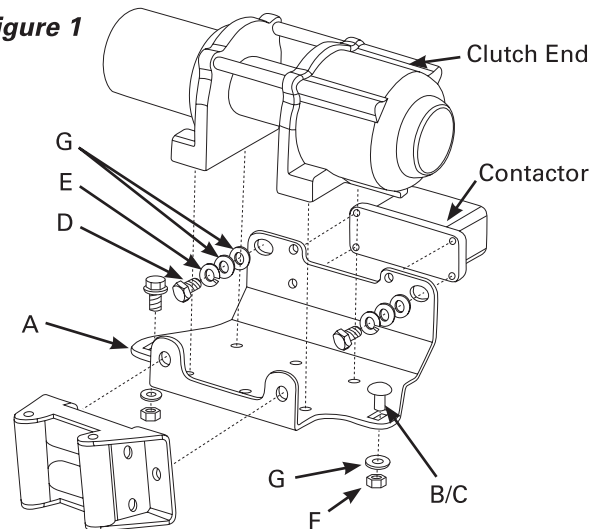
Install Winch:

1. Attach winch and fairlead to mounting bracket using hardware supplied with the winch. See Figure 1.
2. Put winch assembly in place. See Figure 2.
3. Secure winch assembly to frame with supplied hardware.

Note: You may only need one 3/8" washer with the rear M10 bolt and 7/16" lock washer.

Optional: Mount contactor to mounting plate using hardware provided with winch. (See Figure 1.)

4. Follow all winch manufacturer's instructions for proper wiring.

Figure 1**Figure 2**