

Part # 5600.3142
Style # 034001

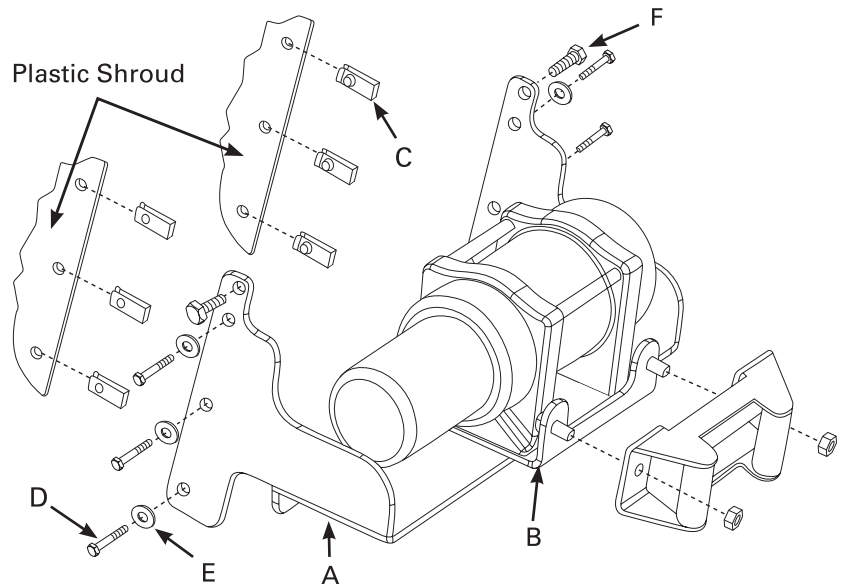
Warning:

Risk of personal injury or property damage. An improperly mounted winch may result in a sudden release of the winch mount and/or winch from the ATV frame. Follow all instructions and install and maintain hardware at recommended torque. Follow all winch manufacturer's instructions for proper mounting and use of your winch.

Includes:

- (1) Winch Mount (A)
- (1) Fairlead Bracket (B)
- (6) M6-1.0 U-Nuts (C)
- (6) M6-1.0 x 30mm HH Bolts (D)
- (6) M6 Flat Washers (E)
- (2) 5/16"-18 x 1" HH Flange Bolts (F)

Figure 2 (Standard 4-hole winch shown)



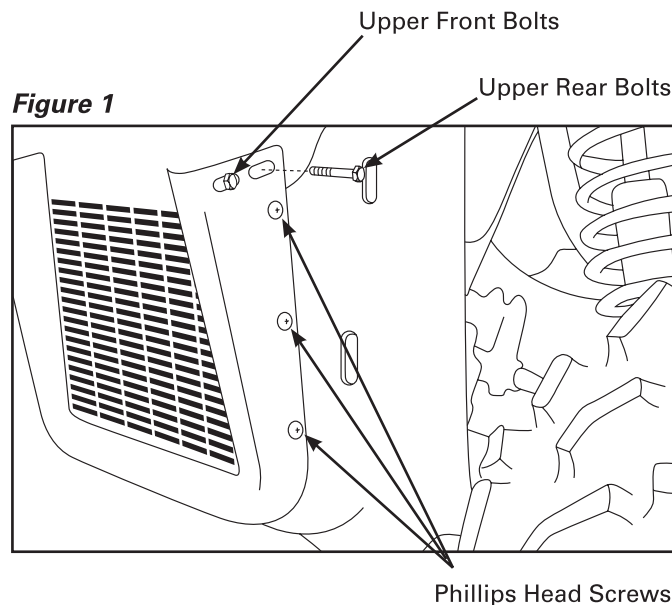
Prior to Installation:

1. Turn off vehicle.
2. Locate the battery compartment.
3. Remove the ground terminal, then the positive terminal to disconnect the battery cables.

Prepare the Vehicle:

1. Loosen, but do not remove the two upper front bolts of the ATV's brush guard. (See Figure 1.)
2. Remove the six Phillips head screws that retain the plastic side shrouds. These screws can be discarded. (see Figure 1.)
3. Remove the upper rear bolts of the ATV brush guard. These bolts can be discarded. (See Figure 1.)
4. Remove OEM U-Nuts on plastic shroud, replace with supplied U-Nuts (C). (See Figure 2.)
5. Adjust the loosened brush guard so that all eight holes line up.

Instructions Continued on Reverse.



Install Winch Assembly:

1. Place the mount in position.
2. Attach the mount using the supplied 5/16" bolts (F). (see Figure 2.) Start with the top holes. Do not tighten.
3. With the top two bolts started, re-attach the plastic shrouds using the supplied bolts (D) and washers (E). (See Figure 2.) Do not tighten.
4. Tighten all eight bolts.
5. Attach winch and fairlead bracket to mount using hardware supplied with winch. (Use 2 or 4 holes to mount winch and fairlead bracket as shown in Figure 3.)
6. Follow all winch manufacturer's instructions for proper wiring.

