

Part # 5600.3151
Style #467001

Warning:

Risk of personal injury or property damage. An improperly mounted winch may result in a sudden release of the winch mount and/or winch from the ATV frame. Follow all instructions and install and maintain hardware at recommended torque. Follow all winch manufacturer's instructions for proper mounting and use of your winch.

Includes:

- (1) Wide Winch Mount Plate (A)
- (2) M8-1.25 x 25mm Hex Flange Bolt (B)
- (2) M8-1.25 Hex Nylock Nut (C)
- (2) M8 Flat Washer (D)
- (3) M10-1.5 x 25mm Short-Neck Carriage Bolt (E)
- (3) M10-1.5 Hex Nylock Nut (F)
- (3) M10 Flat Washer (G)

Prior to Installation:

1. Turn off vehicle.
2. Locate the battery compartment. (In most models this will be under the hood, however, the battery compartment is located under the driver seat of the 2014 Ranger 800 4x4, and under the rear driver-side seat of the 2014 Ranger 800 Crew.)
3. Remove the ground terminal, then the positive terminal to disconnect the battery cables.

Remove Bumper

1. Remove the 4 Torx screws from the front and upper grills on the bumper frame. (See Figure 1.1.) Retain Torx screws.
2. Keep the upper grill. Set aside the front grill. (See Figure 1.)
3. Remove the three bolts at the bottom of the frame. (See Figure 1.2)
4. Remove the bolts from the driver and passenger side of the bumper. (See Figure 2.1.)
5. Remove bumper from machine.

Attach Winch Mount to Bumper

1. Attach roller/hawse fairlead to the winch mount using hardware supplied with winch. (See Figure 3.)
2. Place winch mount into location on bumper. (See Figure 4.) The winch mount should pass through the front grill pocket as shown in Figure 4.
3. Fasten mount in place using supplied M8 hardware and two of the retained Torx screws.

Instructions Continued on Reverse.

Figure 3

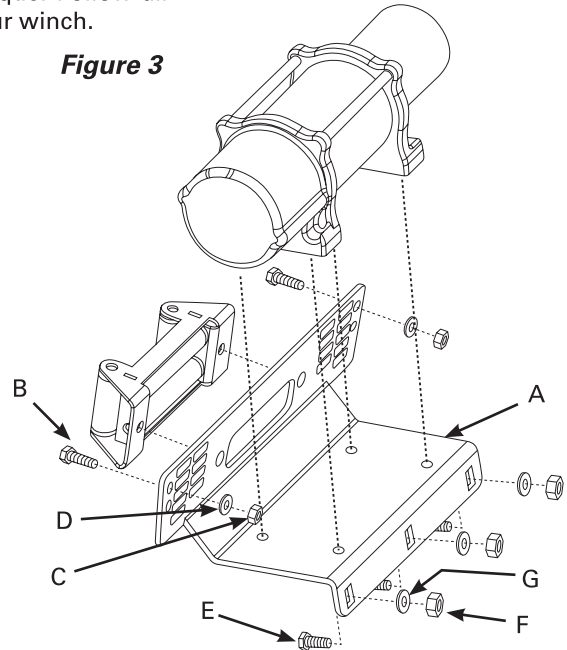


Figure 1

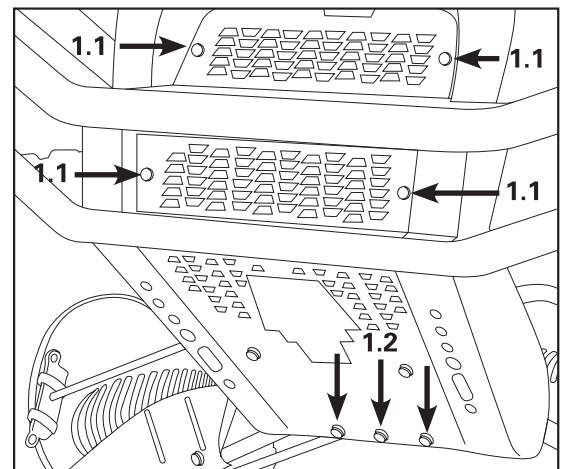
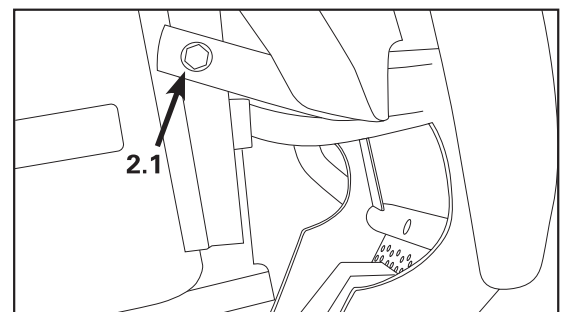


Figure 2



Attach Winch to Mount

1. Using hardware supplied with your winch, attach winch to mount as shown in Figure 3.
2. Feed a short length of cable through fairlead.
3. Attach hook.

Reassemble Frame

1. Attach the bumper by loosely fastening the three bolts at the bottom of the frame (Figure 1) and the bolts on the driver and passenger sides (Figure 2).
2. Fasten the back of the winch mount to the frame using supplied M10 carriage bolts. (See Figure 5.)

Note: There are three holes in the frame. Fasten the winch mount to the two outer holes.

Note: Follow all winch manufacturer's instructions for proper wiring.

Figure 4

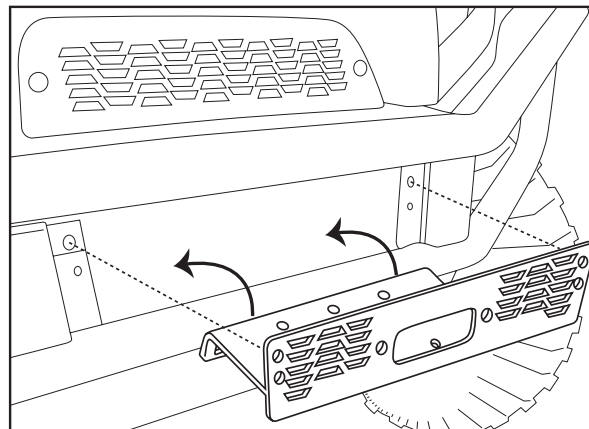


Figure 5

