

Part #: 5600.3157
Style #: 505001

Warning:

Risk of personal injury or property damage. An improperly mounted winch may result in a sudden release of the winch mount and/or winch from the ATV frame. Follow all instructions and install and maintain hardware at recommended torque. Follow all winch manufacturer's instructions for proper mounting and use of your winch.

Includes:

- (1) Winch Mount (A)
- (1) Support Bracket (B)
- (4) M6-1.00 x 38mm U-Bolts (C)
- (8) M6-1.00 Nylock Nuts (D)
- (8) M6 Flat Washers (E)
- (4) M8-1.25 x 25mm Hex Flange Bolts (F)
- (2) M8-1.25 Nylock Nuts (G)
- (2) M8 Flat Washers (H)

Prior to Installation:

1. Turn off vehicle.
2. Locate the battery compartment.
3. Remove the ground terminal, then the positive terminal to disconnect the battery cables.

Installation:

1. Remove and discard the 8mm bolts from each side of the front wheel wells. (See Figure 1.1)
2. Position mount and support bracket as shown in figure 1.
3. Attach using supplied 8mm bolts, U-Bolts, and M8 hardware. (See Figure 1.2.) Do not tighten completely.

Note: The frame may shift after removing the 8mm bolts in Step 1. All front bumper bolts may need loosening to properly align the frame holes. Instructions Continued on Reverse.

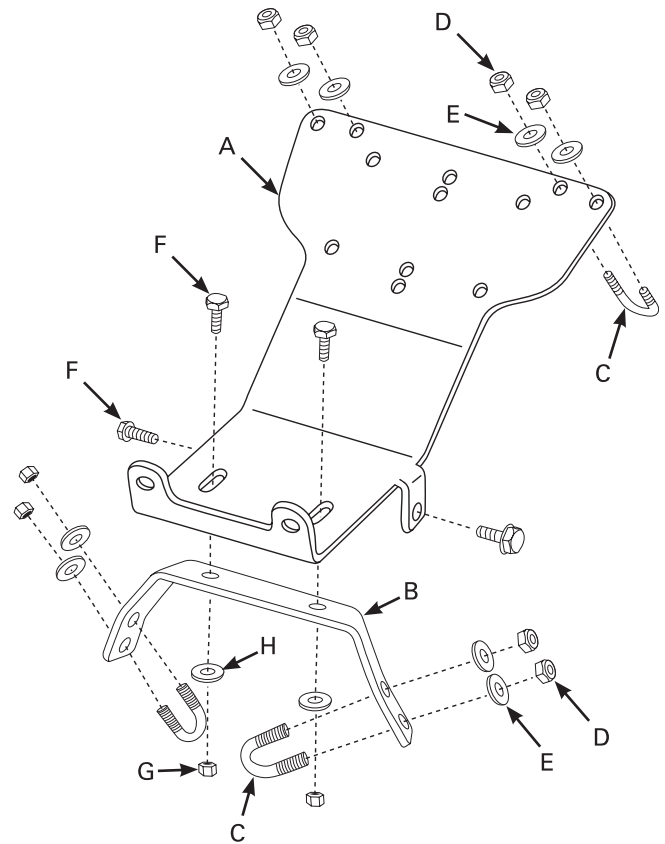
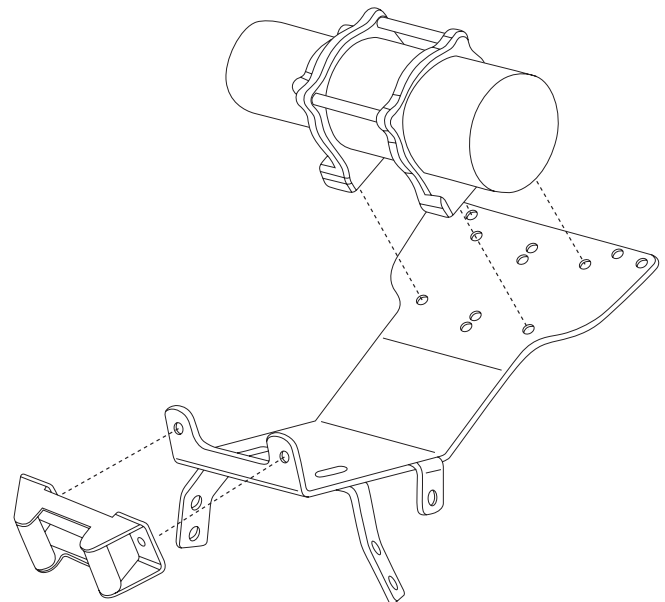
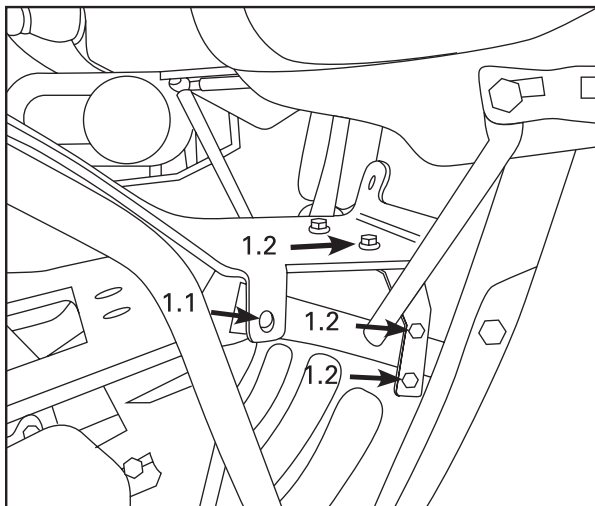


Figure 1



4. Use U-Bolts to secure mount to frame. (See Figure 2.) Note: You may need to slide the U-Bolts from higher on the frame where it is slightly bent, and then down into position.
5. Tighten all hardware
6. Attach hawse / roller fairlead and winch to mount using hardware supplied with winch.
7. If necessary, remove the headlight cap to achieve sufficient clearance. (See Figure 3.)
8. Follow all winch instructions for proper wiring.

Figure 2

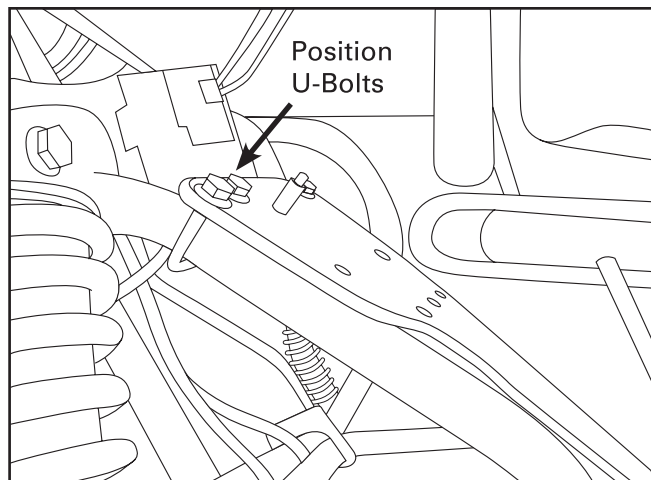


Figure 3

