

Warning:

Risk of personal injury or property damage. An improperly mounted winch may result in a sudden release of the winch mount and/or winch from the ATV frame. Follow all instructions and install and maintain hardware at recommended torque. Follow all winch manufacturer's instructions for proper mounting and use of your winch.

Includes:

- (1) Winch Mount (A)
- (2) M6-1.0 x 25mm x 38mm U-Bolts (B)
- (2) M8-1.25 x 32mm x 44mm U-Bolts (C)
- (4) M6-1.0 Nylock Nuts (D)
- (4) M6 Flat Washers (E)
- (2) M8-1.25 x 20mm Flat HD Screw (F)
- (2) 5/16" x 3/4" Flat HD Screw (G)
- (5) M8-1.25 Nylock Nuts (H)
- (5) M8 Flat Washers (I)

Prior to Installation:

1. Turn off vehicle.
2. Locate the battery compartment.
3. Remove the ground terminal, then the positive terminal to disconnect the battery cables.

Prepare Vehicle:

1. Remove the top two plastic rivets. See Figure 1.1.
 2. Remove the two bottom bolts. See Figure 1.2.
 3. Remove front plastic bumper cover.
- Instructions Continued on Reverse.*

Figure 1

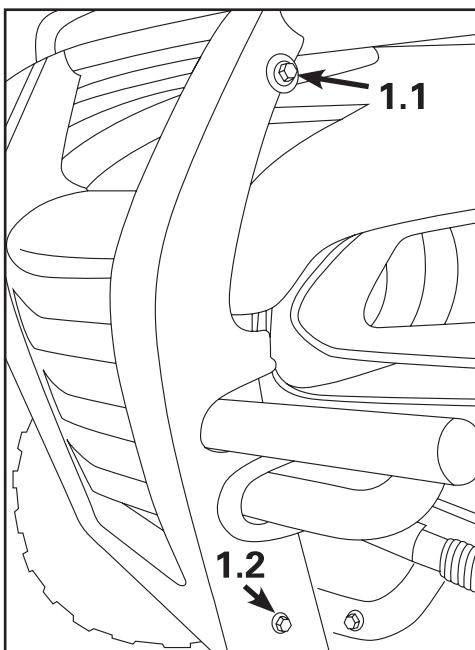


Figure 5 (4-hole mounted winch)

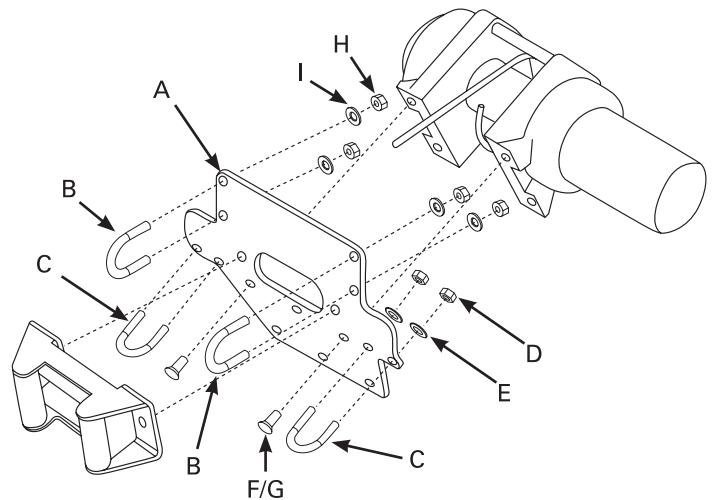
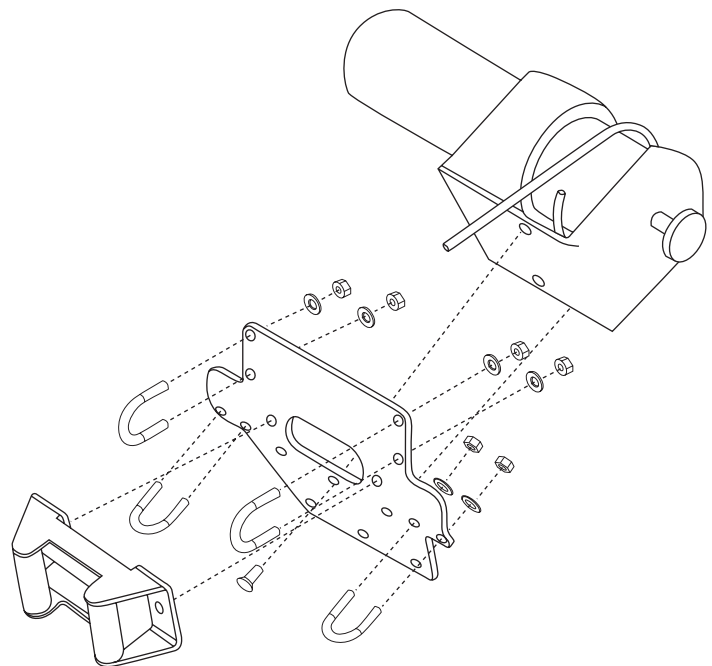


Figure 6 (2-hole mounted winch)



4. Remove four bottom skid plate bolts. (Two of these bolts are visible in Figure 2, the other bolts are further back.)
5. Remove the four bumper to frame bolts. See Figure 3.
6. Remove the two bumper to top rack bolts. See Figure 4.
7. Remove bumper to headlight bolts.
8. Remove front bumper.

Figure 2: Remove Skid Plate Bolts

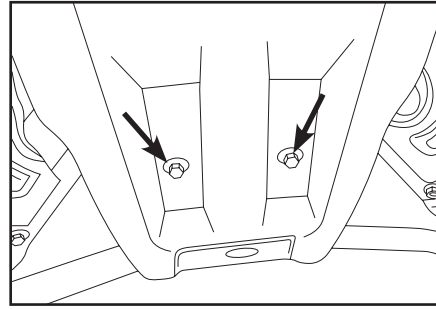


Figure 3: Remove Bumper to Frame Bolts

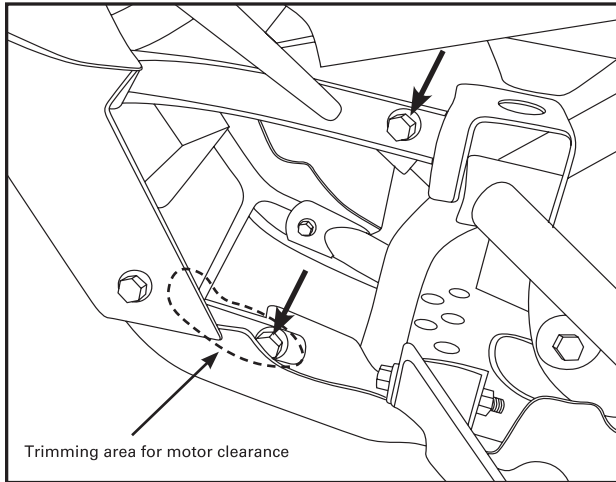
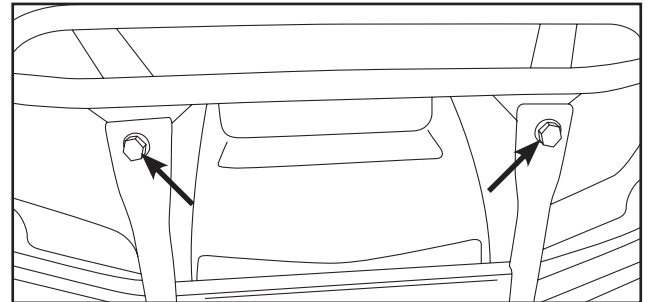


Figure 4: Remove Bumper to Top Rack Bolts



Install Winch:

1. Attach winch to mount as shown in Figure 5 and Figure 6. (Do not install fairlead.)

Note: Winch cable should come from the top of the spool as shown in Figures 5 and 6. The winch motor can be positioned on the right or left side.

A) Older Warn or other types of 4-hole mount winches will require supplied flat head screws for the top two mounting locations. Different winches will use different screws, either 5/16" or M8, both included. See Figure 5.

B) Winches with a 2-hole mount will require one 5/16" flat head screw in the top mounting hole. See Figure 6.

2. Attach winch assembly to bumper. See Figure 5 / Figure 6 and Figure 7. Do not tighten. Please note that the M8 U-bolts will be used at the top, and the M6 U-bolts should be used on the bottom.

Finishing Installation:

1. Re-attach bumper to ATV. Do not tighten until all bolts are in place.
2. Tighten the M8 and M6 U-bolts.
3. Re-attach bottom skid plate. If there is not sufficient clearance for winch motor, you may need to trim the sides of the skid plate. See Figure 3.
4. Trim 3/8" from plastic front bumper cover. See Figure 8.
5. Re-attach bumper cover. Additional trimming may be necessary. See Figure 3.
6. Attach fairlead.
7. Follow all winch manufacturer's instructions for proper wiring.

Figure 7: Winch Assembly Placement

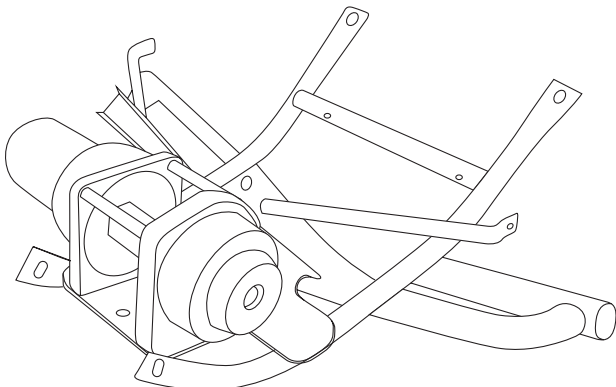


Figure 8: Trim Front Bumper Cover

