

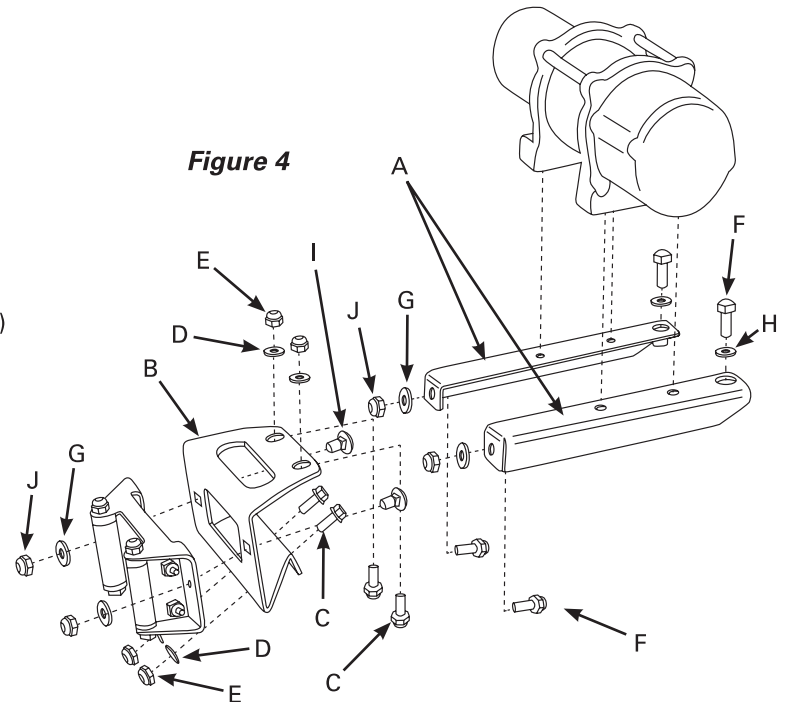
Part # 5600.3169  
Style # 066001

**⚠ Warnings:**

Risk of personal injury or property damage. An improperly mounted winch may result in a sudden release of the winch mount and/or winch from the ATV frame. Follow all instructions and install and maintain hardware at recommended torque. Follow all winch manufacturer's instructions for proper mounting and use of your winch.

**Includes:**

- (2) LH and RH Winch Mounting Angles (A)
- (1) Winch Mount Fairlead Bracket (B)
- (4) M8-1.25 x 19mm Hex Head Flange Bolts (C)
- (4) M8 Flat Washers (D)
- (4) M8-1.25 Nylock Nuts (E)
- (4) M10-1.50 x 25mm Hex Head Bolts (F)
- (4) M10 Flat Washers (G)
- (2) M10 Lock Washers (H)
- (2) M10-1.50 x 19mm Shortneck Carriage Bolts (I)
- (4) M10-1.50 Nylock Nuts (J)



*Note: This winch mount kit is only designed to work with winches with a 4-hole mount configuration. This winch mount kit will NOT work with winches with a 2-hole mount configuration.*

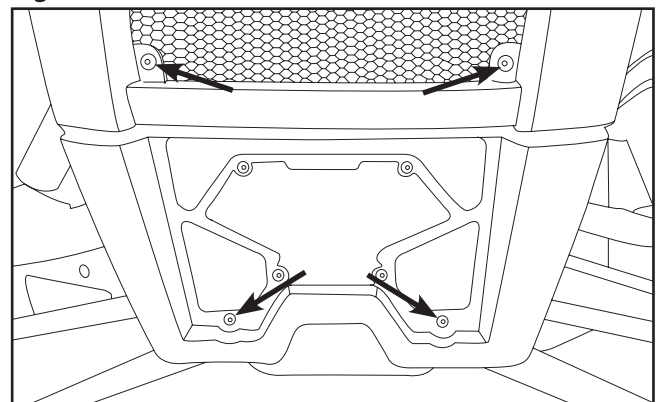
**Prior to Installation:**

1. Turn off vehicle.
2. Locate the battery compartment.
3. Remove the ground terminal, then the positive terminal to disconnect the battery cables.

**Prepare the Vehicle:**

1. Remove plastic cover as shown in Figure 1.
2. Remove four (4) bolts shown in Figure 1.  
*Instructions Continued on Reverse.*

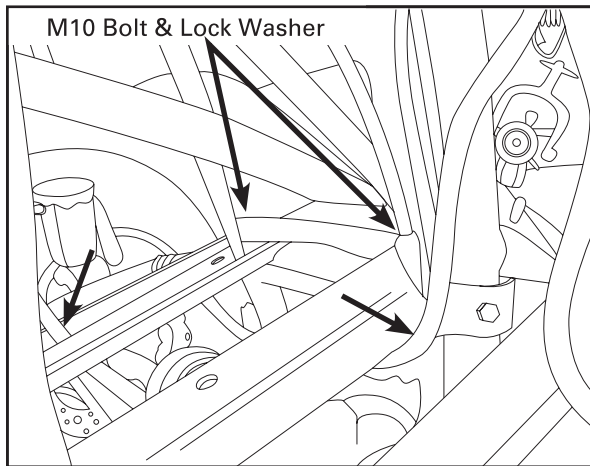
**Figure 1**



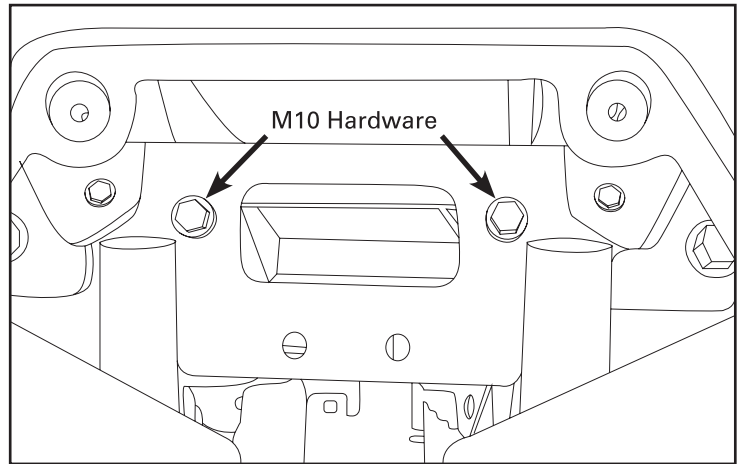
## Install Winch Mount:

1. Place LH and RH mounting angles as shown in Figures 2 and 3.
2. Assemble using supplied M10 hardware. See Figure 4.
3. Route cable and hoses. See Figure 2.
4. Place winch as shown in Figure 4.
5. Attach using hardware supplied with winch. Winch must be positioned so cable comes off the bottom of the spool.

**Figure 2 - Rear View of Mounting Angles / Routing of Cable & Hoses**



**Figure 3 - Front View of Mounting Angles**



## Finish Installation:

1. Assemble Fairlead Bracket to the vehicle frame using M8 hardware supplied. See Figure 4 and Figure 5.
2. Attach fairlead to Fairlead Bracket and route cable through fairlead.
3. Attach hook.
4. Replace 4 bolts shown in Figure 1.
5. Follow all winch manufacturer's instructions for proper wiring

**Figure 5**

